



Racing Pigeon Auction

Reg Muller

I first met Reg muller in the mid 1990s as a result of a conversation between my brother Alan and my self regarding birds breaking. Reg was the most positive pigeon person I have ever met. He was the original Nike man. He had sayings like “just do it” or “what do we have do to win this week” before they were fashionable. Reg was the boss he liked it that way. But there was much more to Reg than that, It did not take me long to realize that under the surface Reg was a very determined and talented not to mention generous pigeon person. He had paid big money to buy the best birds possible and was ahead of his time regarding feeding ,training etc I don't think I would be overstating the case to say I learnt more from Reg in 12 months than I had in a life time. We never stopped laughing. I cant honestly say that I know what is in the Muller back yard now, but I can say Reg only kept the best and I am sure nothing has changed . Please take the time to go along and have a look at what is on offer as I think you will be pleasantly surprised. You may even get a bargain. Rest in peace Reggie.

Regards Ross Chapman

Complete Disposal of Stock and Race Birds. Photos of Birds were taken a few months ago near the end of molt so birds look a lot nicer now particularly the young birds which have matured more.

Friday the 7th September 2018 (In the event of a race holdover sale will revert to the 8th of December)

6.00 p.m.	:	Birds on Display
7.30 p.m.	:	Auction Commences
Auctioneer	:	Jim Marafiote
Venue	:	SAHPA Hall Boulderstone Road

Pedigrees listed will be given with birds in black and white format.

Lot 1 BCC SA2010 06152

- Sire RCC SA2004 34020(father of SAHPA winner)
- Dam BCH SA2006 29101



lot 2 BCPH SA 2010 06198

- Sire BCC SA2004 34050
- Dam BCH SA2005 35557



Lot 3 BSlateH SA2015 01045(old ring 2016 bird)

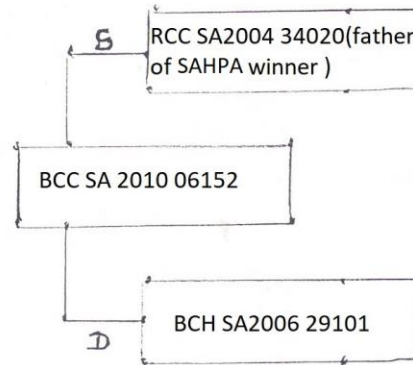
- Sire BCC SA 2010 06152(refer lot 1)
- Dam BCPH SA2010 06198(refer lot 2)
- Have pedigree



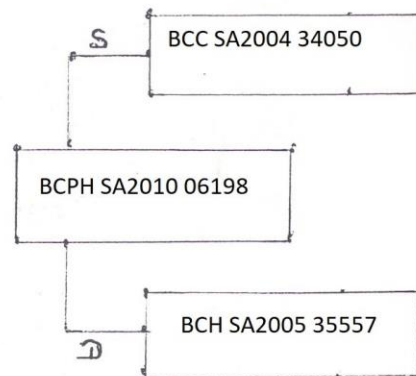


BSlateH SA2015
01045(old ring 2016
bird)

SIRE



DAM



R. MULLER

Lot 4 BCPH SA2016 03211

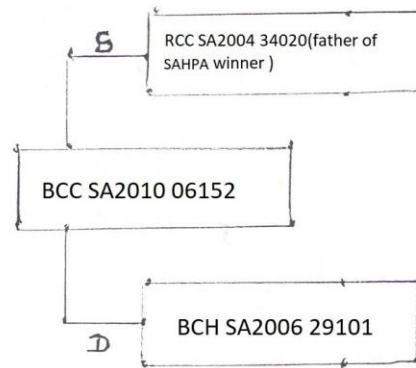
- Sire BCC SA2010 06152(refer lot 1)
- Dam BCPH SA2010 06198(refer lot 2)
- Have pedigree



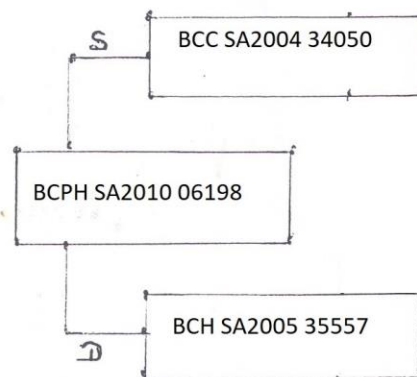


BCPH SA2016 03211

SIRE



DAM



R. MULLER

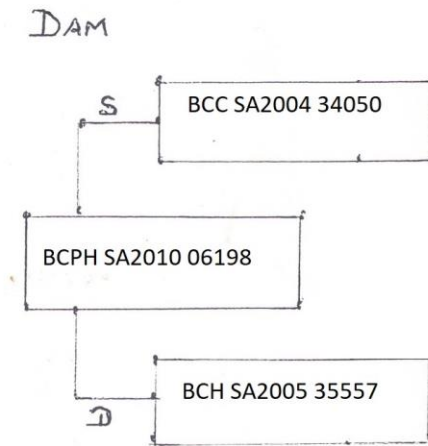
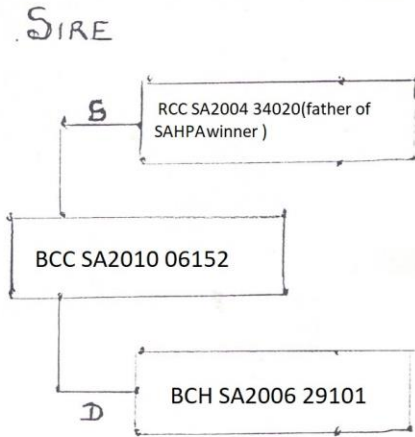
Lot 5 BCC SA2014 02287 (old ring 2015 bird)

- Sire BCC SA2010 06152(refer lot 1)
- Dam BCPH SA2010 06198(refer lot 2)
- Have pedigree





BCC SA2014 02287(old ring 2015 bird)



R. MULLER

Lot 6 BCH SA2015 01029

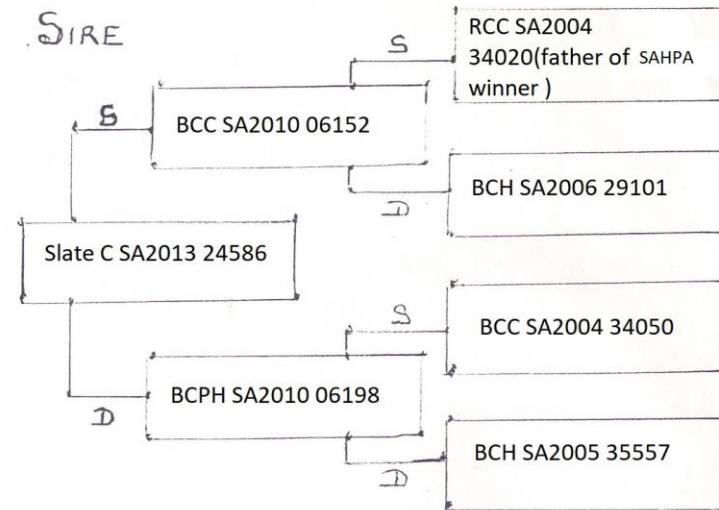
- Grandsire BCC SA2010 06152(refer lot 1) Granddam BCPH SA2010 06198(refer lot 2) Sire Slate C SA2013 24586
- Dam BCH SA2011 12016
- Have pedigree



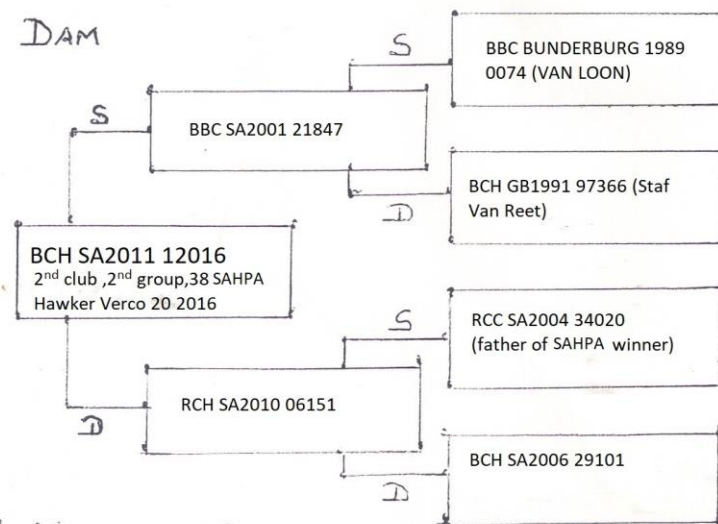


BCH SA2015 01029

SIRE



DAM



R. MULLER

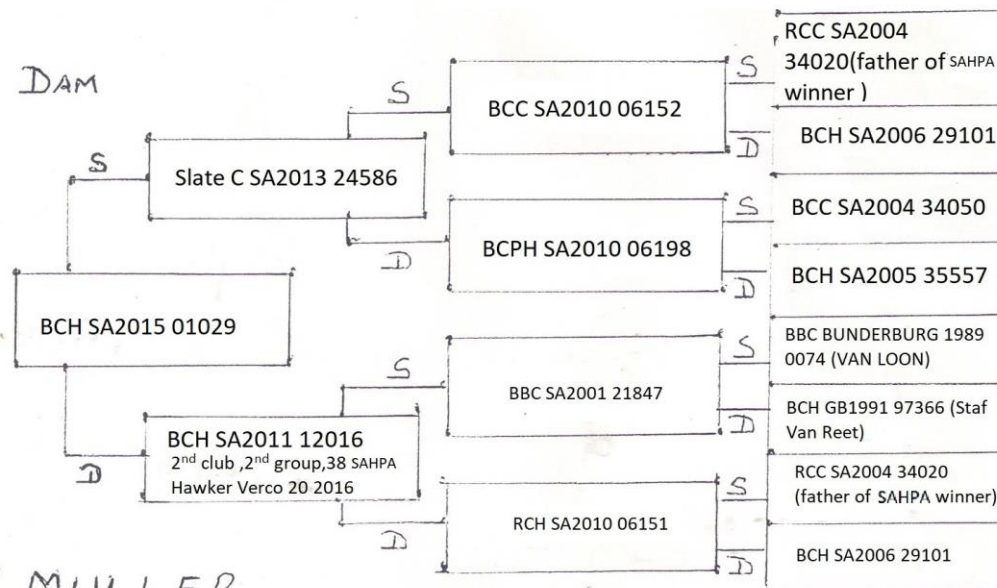
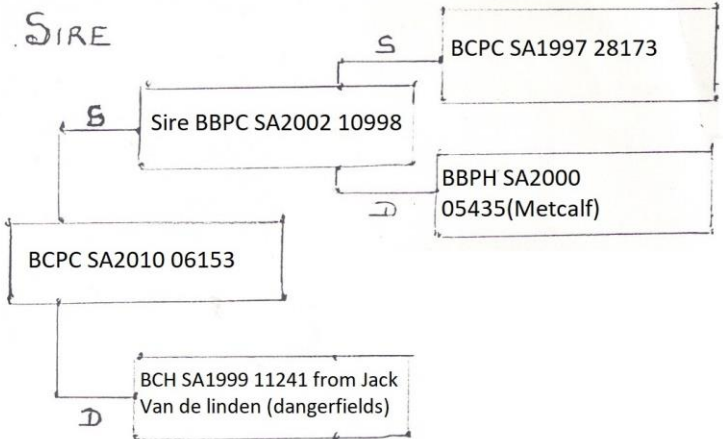
Lot 7 BCP SA2017 05553

- Sire BCPC SA2010 06153
- Dam BCH SA2015 01029(refer lot 6)
- Have pedigree





BCP SA2017 05553



R. MULLER

Lot 8 BCP SA 2017 05552

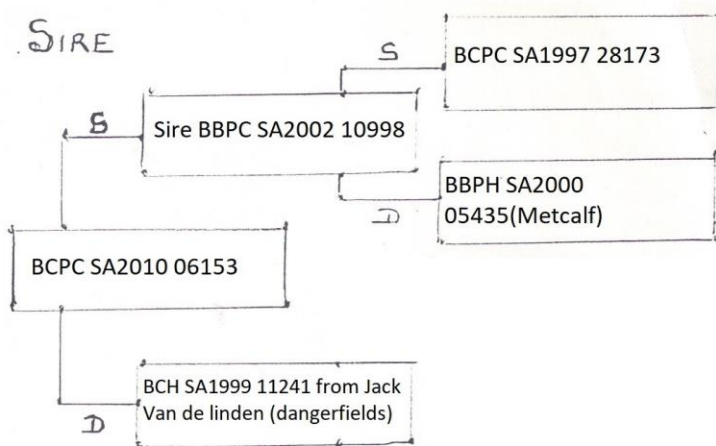
- Sire BCPC SA2010 06153
- Dam BCH SA2015 01029(refer lot 6)
- Have pedigree



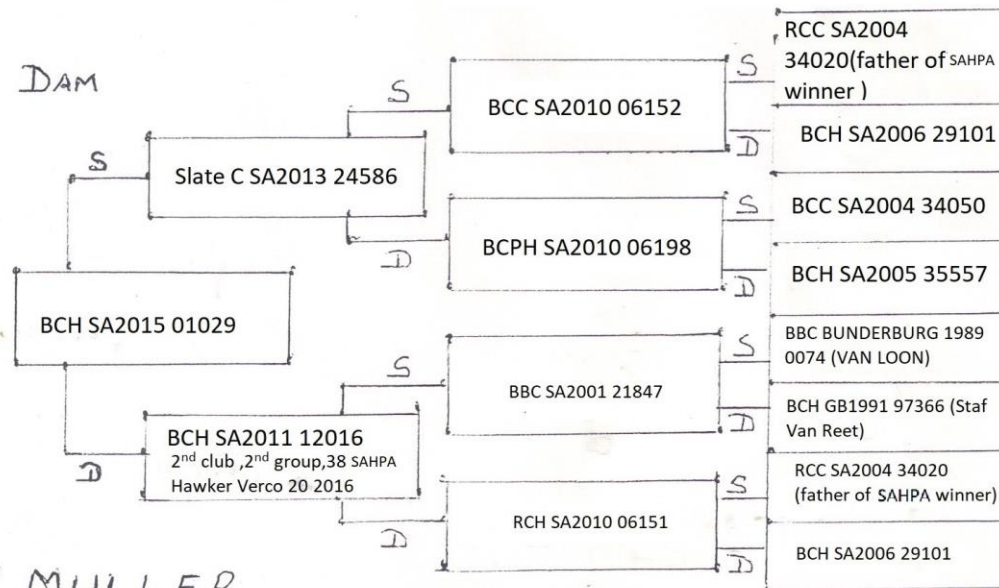


BCP SA 2017 05552

SIRE



DAM



R. MULLER

Lot 9 BC SA2017 05503

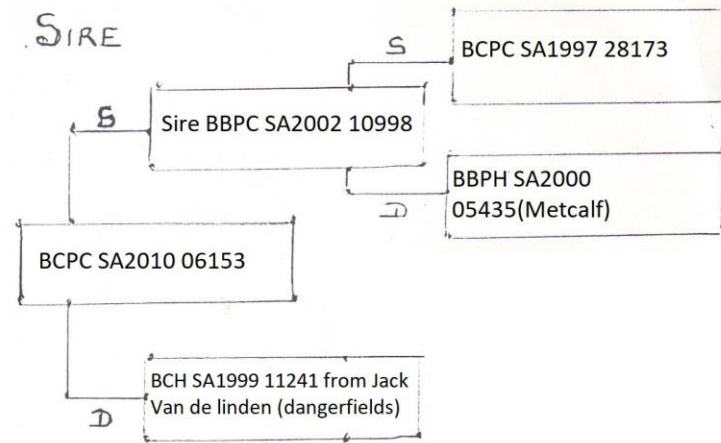
- Sire BCPC SA2010 06153
- Dam BCH SA2015 01029(refer lot 6)
- Have pedigree



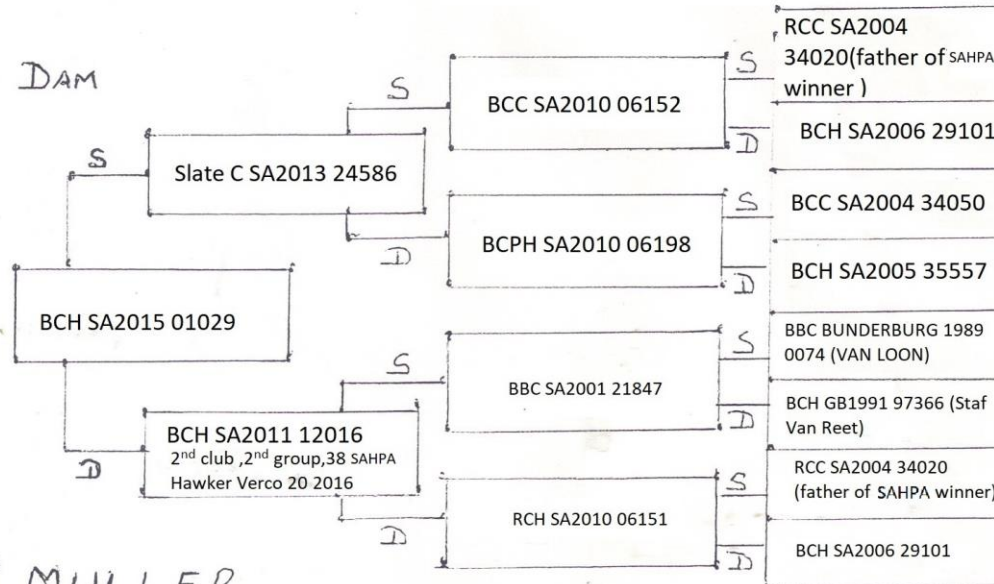


BC SA2017 05503

SIRE



DAM



R. MULLER

Lot 10 BCP SA2017 05502

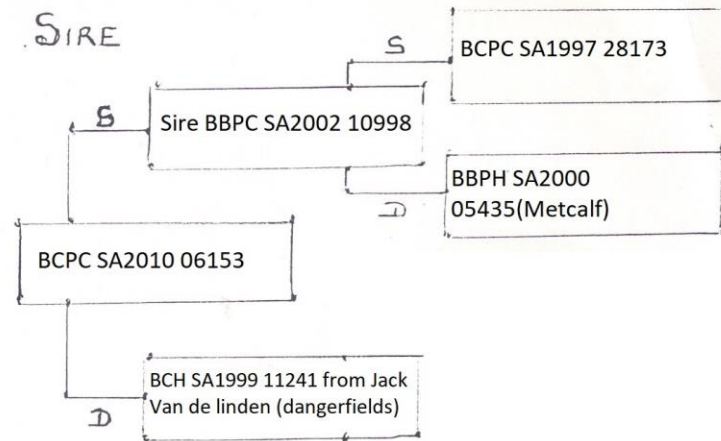
- Sire BCPC SA2010 06153
- Dam BCH SA2015 01029 (refer lot 6)
- Have pedigree



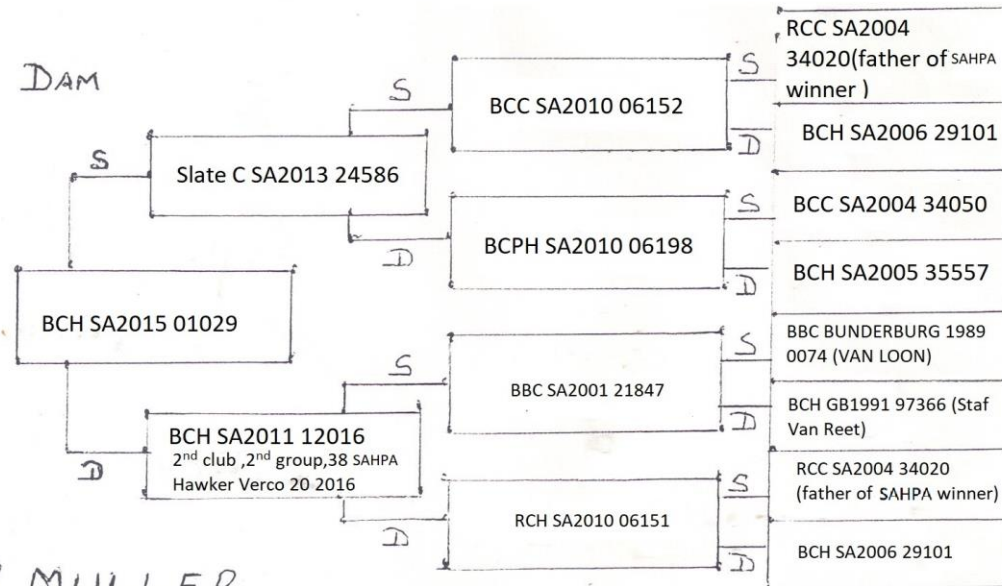


BCP SA2017 05502

SIRE



DAM



R. MULLER

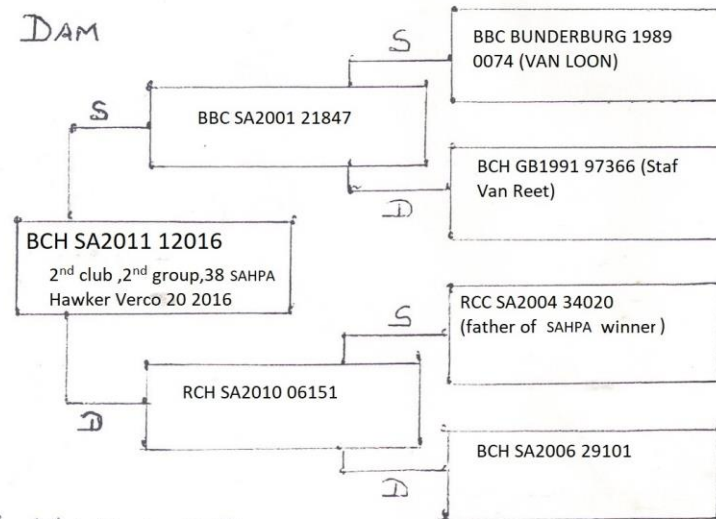
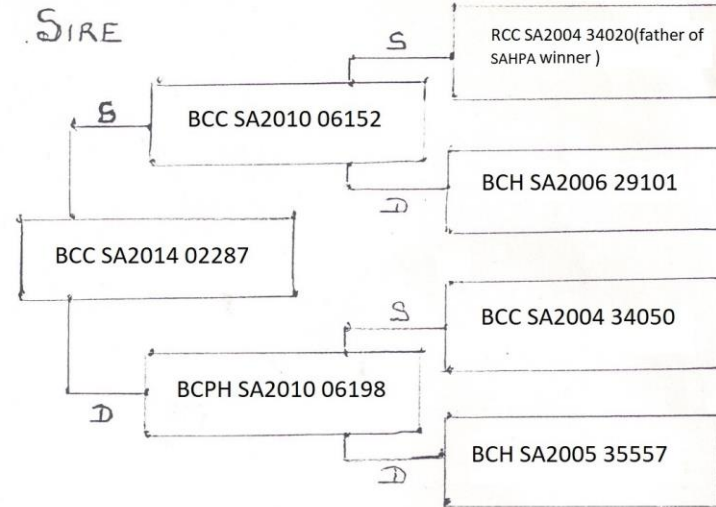
Lot 11 BC SA2017 05588

- Sire BCC SA2014 02287 (refer lot 5)
- Dam BCH SA2011 12016
- Have pedigree





BC SA2017 05588



R. MULLER

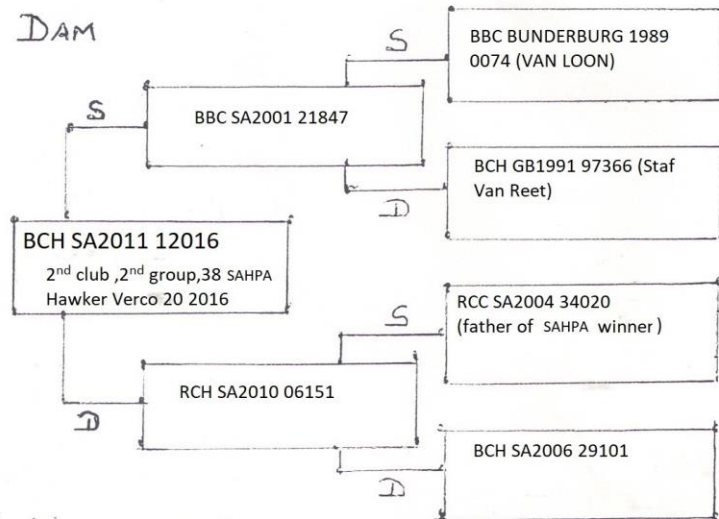
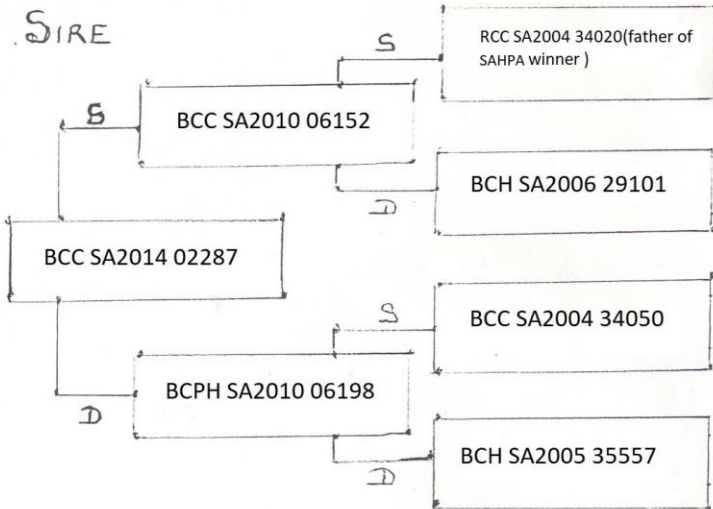
lot 12 BC SA2017 05501

- Sire BCC SA2014 02287(refer lot 5)
- Dam BCH SA2011 12016
- Have pedigree





BC SA2017 05501



R. MULLER

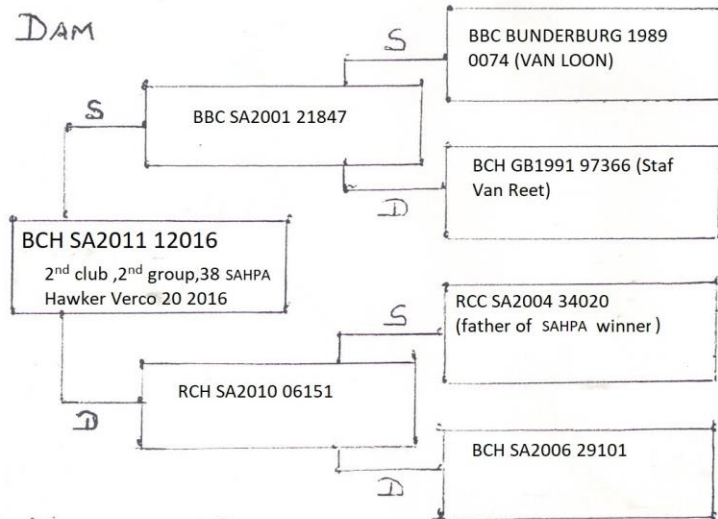
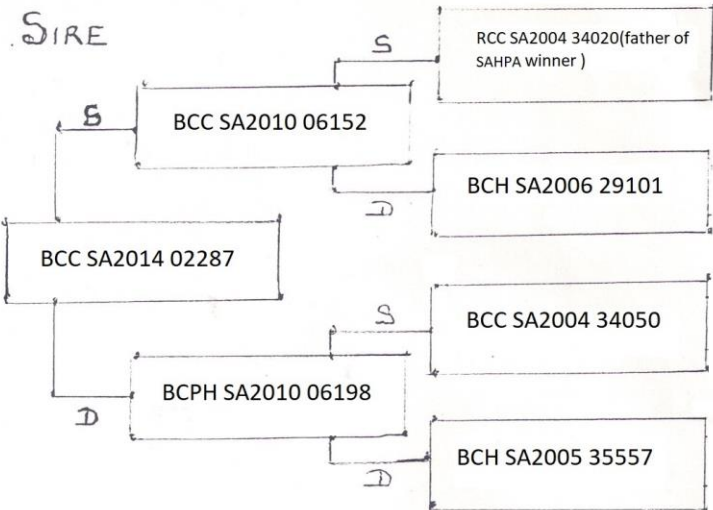
lot 13 BC SA 2017 05547

- Sire BCC SA2014 02287(refer lot 5)
- Dam BCH SA2011 12016
- Have pedigree





BC SA 2017 05547



R. MULLER

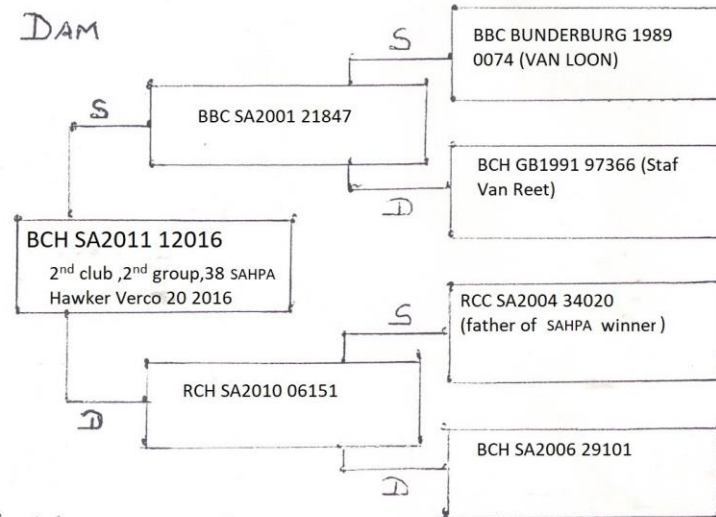
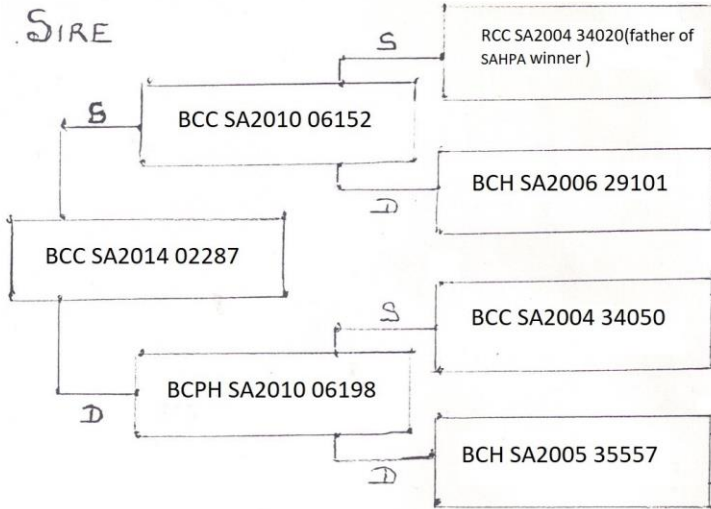
Lot 14 BC SA2017 05587

- Sire BCC SA2014 02287 (refer lot 5)
- Dam BCH SA2011 12016
- Have pedigree





BC SA2017 05587



R. MULLER

Lot 15 BCC SA2007 04714

➤ Raced it.



Lot 16 BCH SA2016 03268

- Sire BCC SA2007 04714(refer lot 15)
- Grandsire BCC SA2010 06152(refer lot 1) Granddam BCPH SA 2010 06198(refer lot 2)
Dam BCH SA2014 02359
- Have pedigree



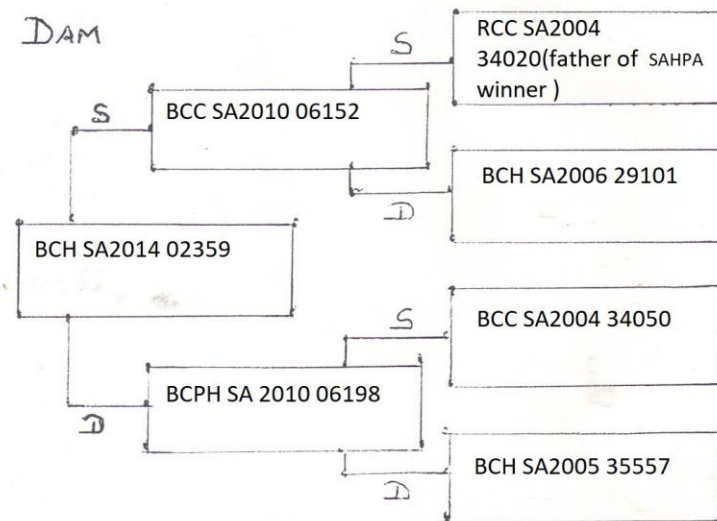


BCH SA2016 03268

SIRE

BCC SA2007 04714

DAM



R. MULLER

Lot 17 BC SA2016 03208

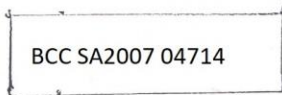
- Sire BCC SA2007 04714(refer lot 15)
- Grandsire BCC SA2010 06152(refer lot 1) Granddam BCPH SA 2010 06198 (refer lot 2)
Dam BCH SA2014 02359
- Have pedigree



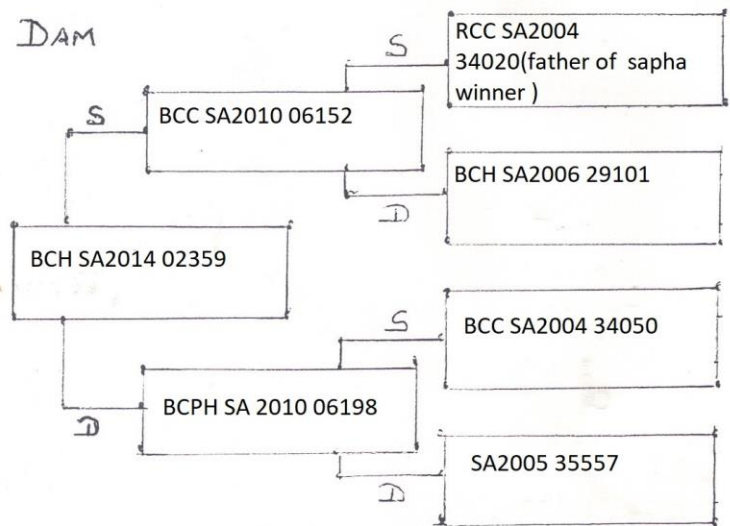


BC SA2016 03208

SIRE



DAM



R. MULLER

Lot 18 BCPH SA2016 03291

- Sire BLKC SA2012 14395
- Dam RCPH SA2011 17083
- Have pedigree



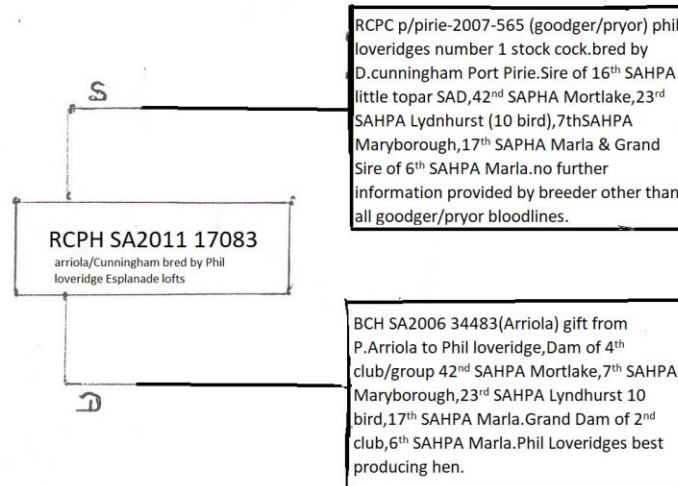


BCPH SA2016 03291

SIRE

BLKC SA2012 14395

DAM



R. MULLER

Lot 19 BCP SA2017 05524

- Sire BCC SA2007 04714(refer lot 15)
- Dam BCH SA2016 03291 (refer lot 18)
- Have pedigree



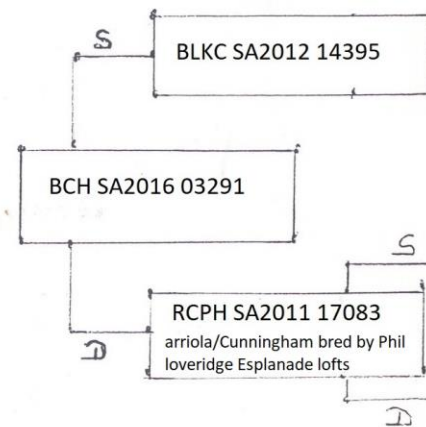


BCP SA2017 05524

SIRE

BCC SA2007 04714

DAM



RCPH p/pirie-2007-565 (goodger/pryor) phil loveridges number 1 stock cock.bred by D.cunningham Port Pirie.Sire of 16th SAHPA little topar SAD,42nd SAPHA Mortlake,23rd SAHPA Lyndhurst (10 bird),7thSAHPA Maryborough,17th SAPHA Marla & Grand Sire of 6th SAHPA Marla.no further information provided by breeder other than all goodger/pryor bloodlines.

BCH SA2006 34483(Arriola) gift from P.Arriola to Phil loveridge,Dam of 4th club/group 42nd SAHPA Mortlake,7th SAHPA Maryborough,23rd SAHPA Lyndhurst 10 bird,17th SAHPA Marla.Grand Dam of 2nd club,6th SAHPA Marla.Phil Loveridges best producing hen.

R. MULLER

Lot 20 BCP SA 2017 05523

- Sire BCC SA2007 04714(refer lot 15)
- Dam BCH SA2016 03291 (refer lot 18)
- Have pedigree



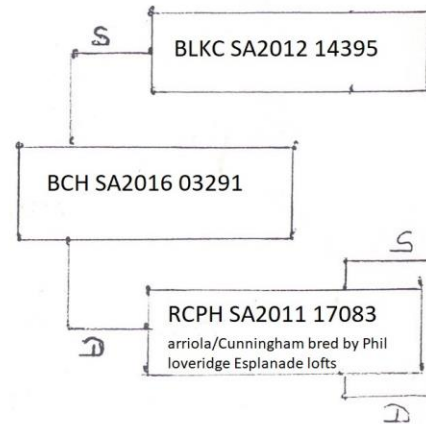


BCP SA 2017 05523

SIRE

BCC SA2007 04714

DAM



RCPC p/pirie-2007-565 (goodger/pryor) phil loveridges number 1 stock cock.bred by D.cunningham Port Pirie.Sire of 16th SAHPA little topar SAD,42nd SAPHA Mortlake,23rd SAHPA Lyndhurst (10 bird),7thSAHPA Maryborough,17th SAPHA Marla & Grand Sire of 6th SAHPA Marla.no further information provided by breeder other than all goodger/pryor bloodlines

BCH SA2006 34483(Arriola) gift from P.Arriola to Phil loveridge,Dam of 4th club/group 42nd SAHPA Mortlake,7th SAHPA Maryborough,23rd SAHPA Lyndhurst 10 bird,17th SAHPA Marla.Grand Dam of 2nd club,6th SAHPA Marla.Phil Loveridges best producing hen.

R. MULLER

Lot 21 BCC SA2015 01023

- Sire BCC SA2007 04714(refer lot 15)
- Grandsire BCC SA2010 06152(refer lot 1) Granddam BCPH SA 2010 06198(refer lot 2)
Dam BCH SA2014 02359
- Have pedigree



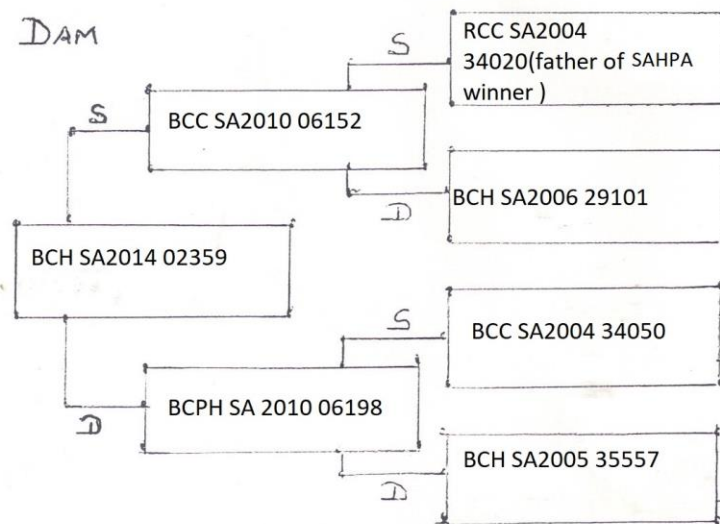


BCC SA2015 01023

SIRE

BCC SA2007 04714

DAM



R. MULLER

Lot 22 BCP SA2016 03279

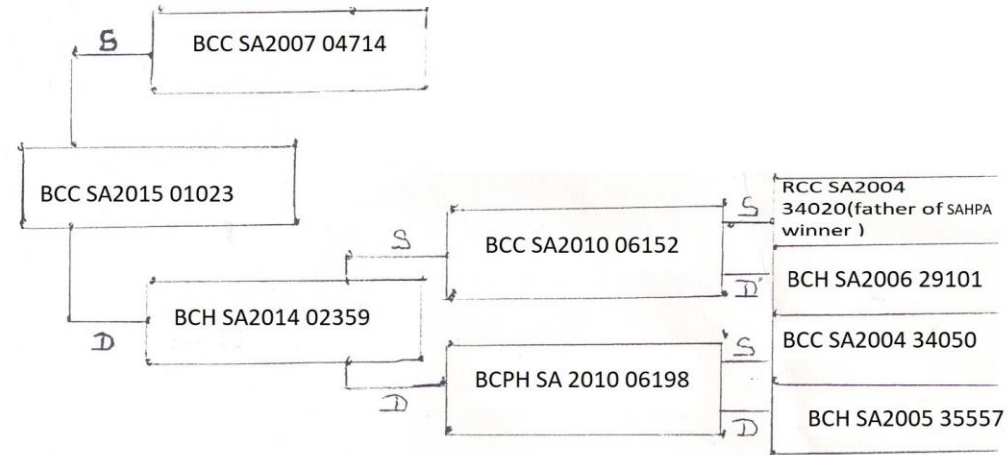
- Sire BCC SA2015 01023(refer lot 21)
- Dam BCH Balakava2012 119(koopman)





BCP SA2016 03279

SIRE



DAM

BCH Balakava2012 119
Koopman

R. MULLER

Lot 23 BCP SA 2017 05519

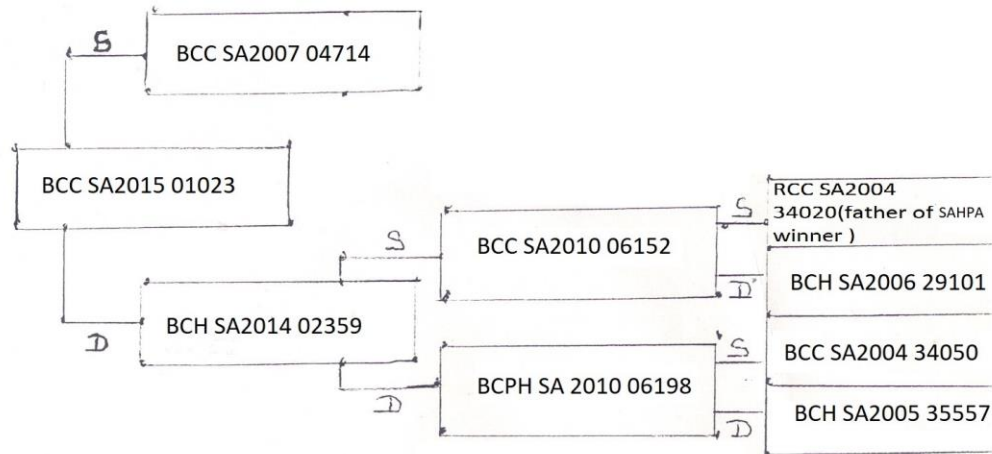
- Sire BCC SA2015 01023(refer lot 21)
- Dam BCPH SA2013 24570
- Have pedigree



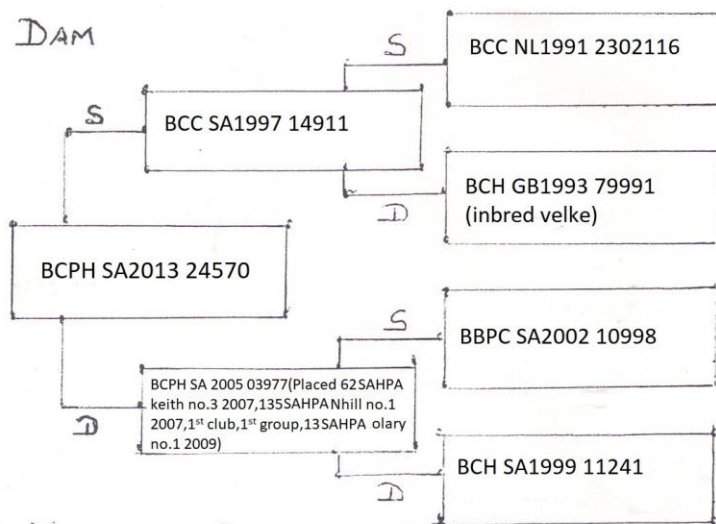


BCP SA 2017 05519

SIRE



DAM



R. MULLER

Lot 24 BCP SA2017 05573

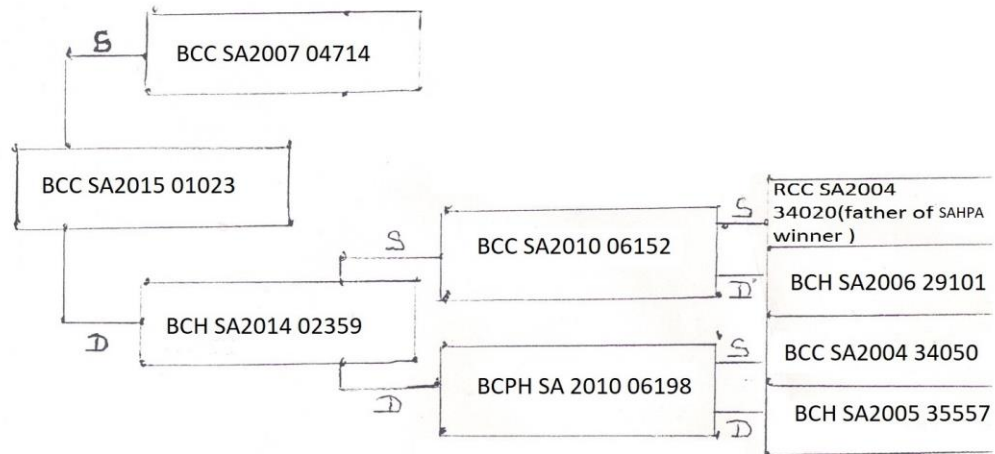
- Sire BCC SA2015 01023(refer lot 21)
- Dam BCPH SA2013 24570
- Have pedigree



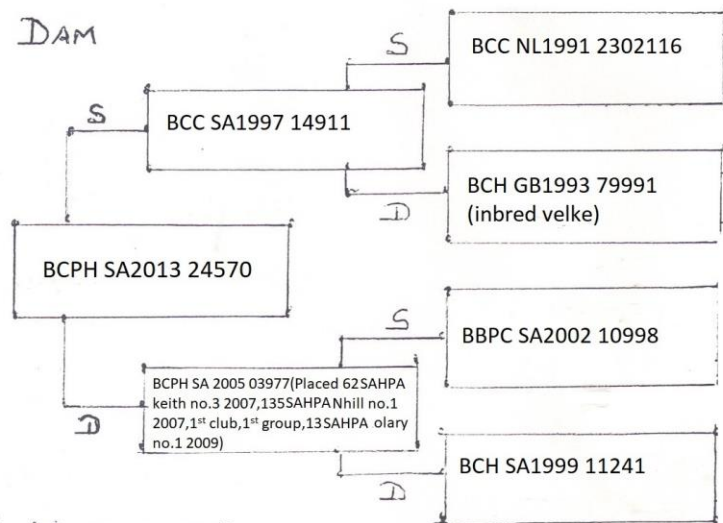


BCP SA2017 05573

SIRE



DAM



R. MULLER

Lot 25 BBP SA2017 05530

- Sire BCC SA2015 25753
- Dam BBH Balaclava2011 544
- Both parents long distance flyers.



Lot 26 BC SA2017 05531

- Sire BCC SA2015 25753
- Dam BBH Balaclava2011 544
- Both parents long distance flyers.



Lot 27 BC SA2017 05532

➤ Koopman



Lot 28 BC SA2017 05533

➤ Koopman



Lot 29 BCP SA2017 05534

- ▶ Sire BCC balakava2011 601 (Koopman/jansen) 2nd sires produce.
- ▶ Dam BCH VHA 2012 24935 (bred by national lofts.van dyck)



Lot 30 BCP SA 2017 05535

- Sire BCC balakava2011 601 (Koopman/jansen) 2nd sires produce.
- Dam BCH VHA 2012 24935 (bred by national lofts.van dyck)



Lot 31 BC SA2017 05536

- Sire BBC SA2015 08297
- Dam Slate hen SA2013 3777.



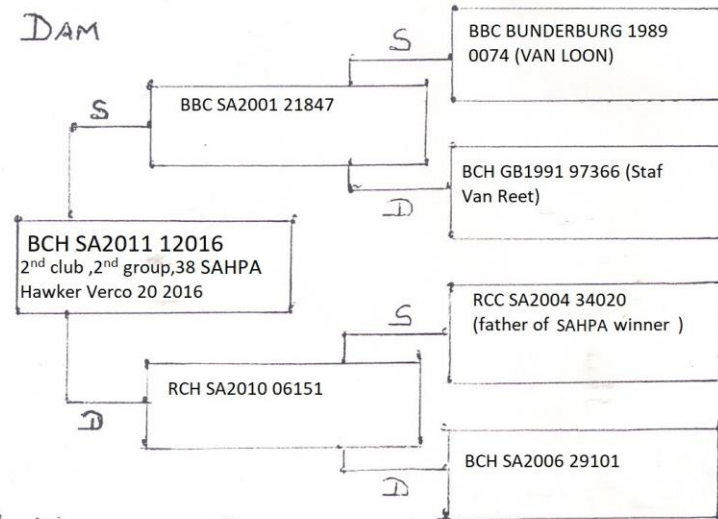
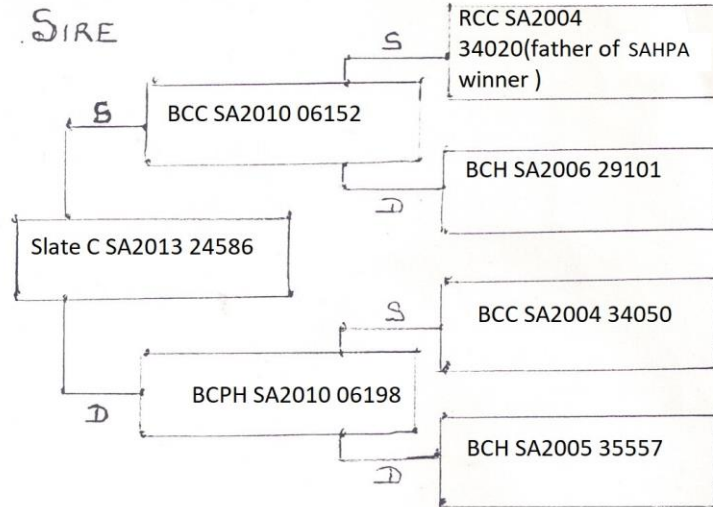
Lot 32 BSlateC SA2016 03201

- ▶ Grandsire BCC SA2010 06152(refer lot 1) Granddam BCPH SA2010 06198(refer lot 2) Sire Slate C SA2013 24586
- ▶ Dam BCH SA2011 12016
- ▶ Have pedigree





BSlateC SA2016 03201



R. MULLER

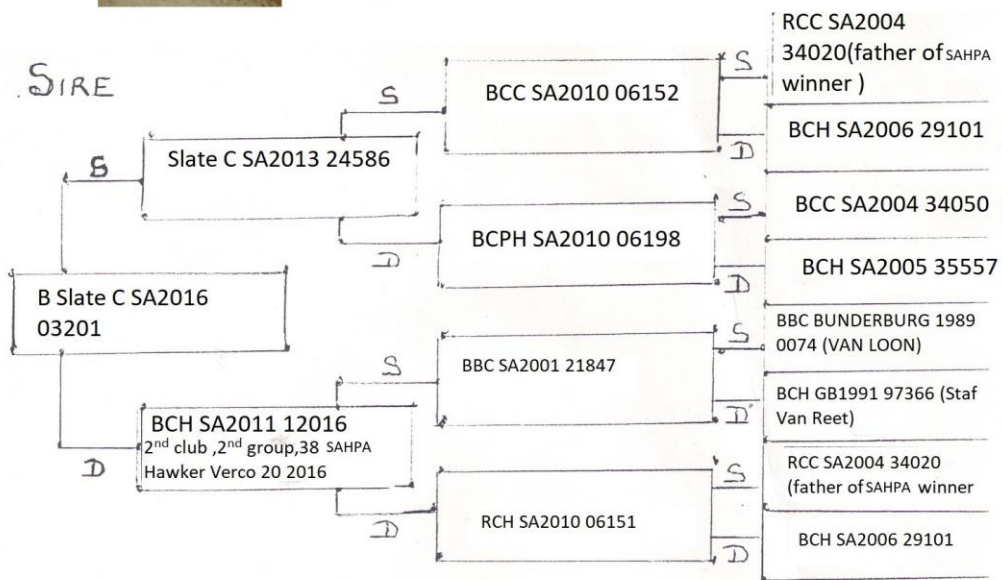
Lot 33 BC SA2017 05515

- Sire B Slate C SA2016 03201 (refer lot 32)
- Dam BBH BALKKA 2013 230(Heremans/Van Dyke)





BC SA2017 05515



DAM

BBH BALKA 2013
230(Heremans/van dyck)

R. MULLER

Lot 34 BC SA2017 05516

- Sire B Slate C SA2016 03201 (refer lot 32)
- Dam BBH BALKKA 2013 230(Heremans/van dyck)



Lot 35 BBH SA2016 03214

- Sire BCC BALAK 2013
231 (Heremans/van dyck)
- Dam BBH BALAK 2013
226 (Heremans/van dyck)



Lot 36 BB SA2017 05507

- Sire BBC BALAK2013
231 (Heremans/van dyke)
- Dam BBH BALAK2013
226 (Heremans/van dyke)



Lot 37 BB SA2017 05506

- Sire BBC BALAK2013
231 (Heremans/van dyck)
- Dam BBH BALAK2013
226 (Heremans/van dyck)



Bird 38 BB SA2017 05577

- Sire BBC BALAK2013
231 (Heremans/van dyck)
- Dam BBH BALAK2013
226 (Heremans/van dyck)



Lot 39 BCH SA2007 04764 (old ring 2009 bird)

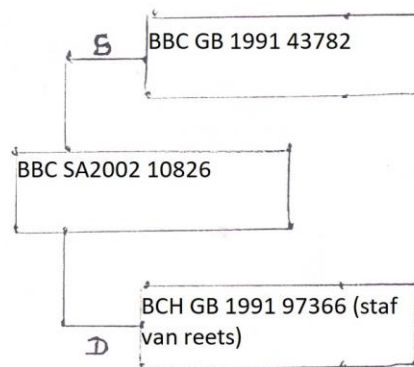
- ▶ Grandsire BBC GB 1991 43782
Granddam BCH GB 1991 97366
(staf van reets) Sire
BBC SA2002 10826
- ▶ Grandsire BBC GB 1991 43782
Granddam GB 1991 97366 (Staf
van reets)
Dam BCH SA1999 45544
- ▶ Have pedigree



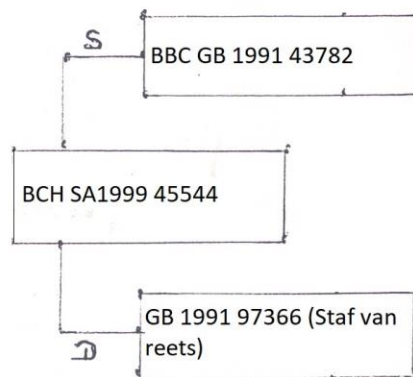


BCH SA2007 04764(old ring
2009 bird)

SIRE



DAM



R. MULLER

Lot 40 BCC SA2016 03269

- ▶ Grandsire SA2010 R.Slate cock(6 club,8 group,37 sahpa Lyndhurst open 2011.

Granddam BBH SA2014 02391 Sire
MLY C SA 2015 01035

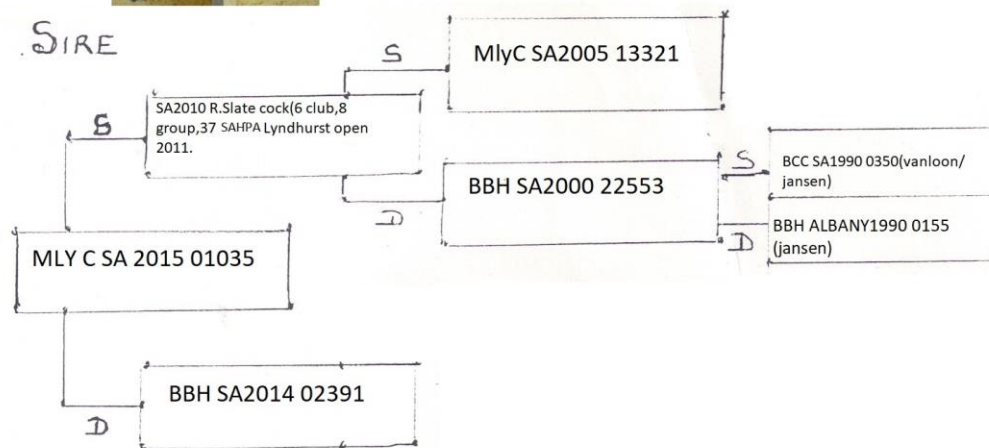
- ▶ Dam BCPH SA2013 24570
- ▶ Have pedigree



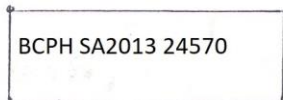


BCC SA2016 03269

SIRE



DAM



R. MULLER

Lot 41 BC SA2017 05562

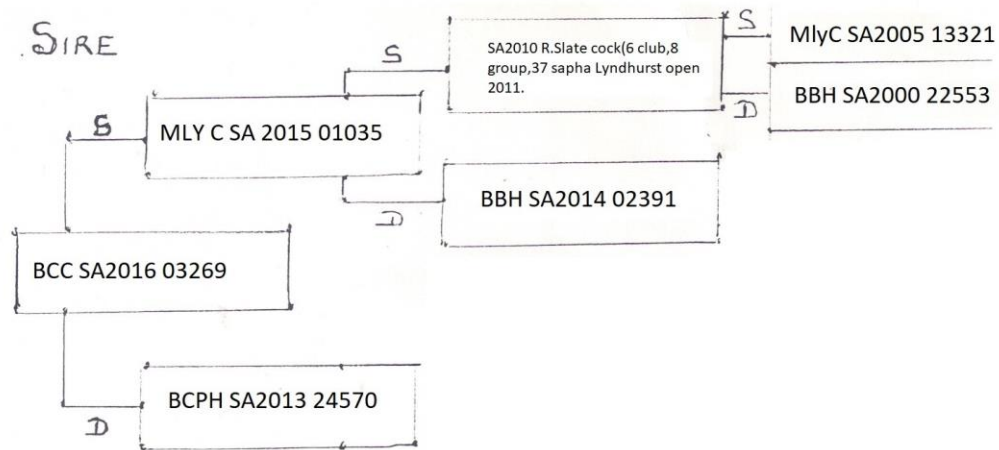
- Sire BCC SA2016 03269(refer lot 40)
- Dam BCH SA2007 04764(refer lot 39)
- Have pedigree



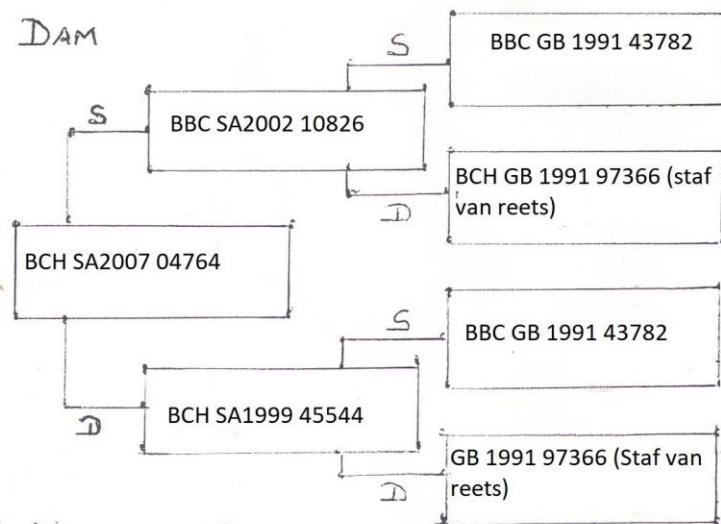


BC SA2017 05562

SIRE



DAM



R. MULLER

Lot 42 BCH SA2007 04756 (old ring 2013 bird)

- Unfortunately no information at present just listed in race book.



Lot 43 BCP SA2017 05574

- Sire MLY C 2016 orange/white.
- Dam BCH 2007 04756(refer lot 42)



Lot 44 MLYP SA 2017 05508

- Sire MLY C 2016 orange/white
- Dam BCH 2007 04756(refer lot 42)



Lot 45 BBP SA2017 05549

- Sire MLY C 2016 orange/white
- Dam BCH 2007 04756(refer lot 42)



Lot 46 BCPC SA2008 30531 (mother and grandfather both SAHPA winners)

- ▶ Sire BBC SA1995 45024(Jack van der linden bird son of Alice Spring winner cock and bonier hen)
- ▶ Grandsire BBC SA1995 45024. (Jack van der linden bird son of Alice Spring winner cock and bonier hen)

GrandDam BCH SA2001 21828.
Dam BCH SA2002 10883(1st SAHPA ,1st central federation Boorooban Open 2003.)

Have pedigree



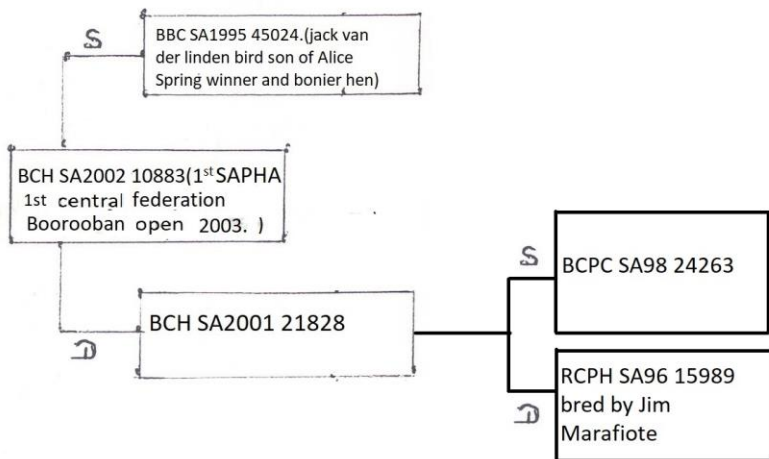


BCPC SA2008 30531

SIRE

BCC SA1995 45024(Jack van der linden bird son of Alice Spring winner cock and bonier hen)

DAM



R. MULLER

Lot 47 BCH SA2012 13616

- Goodger/pryor Have pedigree
loveridge



PEDIGREE OF: BLUE CHEQUER H SA-2012-13616 GOODGER/PRYOR

BRED BY: Phil Loveridge Esplanade Lofts 79 Esplanade Henley Beach South 5022 South Australia 5022

Unraced kept for stock.	SA-1992-16861 BLUE CHEQUER COCK PRYOR Bred by J Pryor gifted to P.Lines Refer Pryor pedigree for details.Sire of 18th SAHPA Colac Open,2013.Grand Sire of 3rd SAHPA Maryborough.GGrand Sire of 6th SAHPA Marla,2013	SA-1990-50939 BLUE CHEQUER COCK PRYOR Full Brother to-1st LDC Alice Springs,1st SAHPA Benalla,3rd SAHPA Temora, 1st SAHPA Rosedale.Half Brother to 2nd SAHPA Pakenham 1986,3rd LDC Alice Springs 1991 1st Boorooban 1985 - Etc.	SA-1982-11829 J.Pryor's No1 Stock Cock ,Sire of 7 Birds placed in the top 3 in SAHPA Races.
			SA-1983-39313 J.Pryor's No1 Stock hen
		SA-1990-52801 BLUE BAR HEN GOODGER/PRYOR Hampstead Club Bird of the Year 1992, 2nd Club Paruna No1,1st Club Paruna No2 ,5th Club Boorooban No1, 5th Club Temora.	SA-1989-18710 Half Brother to 2nd Alice Springs 1990. Unraced -Kept for stock.
			SA-1989-18657 1st Club Hattah 1991
	SA-2010-23614 BLUE CHEQUER PIED HEN GOODGER/PRYOR	SA-2006-10365 BLUE CHEQUER PIED COCK GOODGER/PRYOR Bred for stock	SA-1992-16861 Bred by J Pryor gifted to P.Lines Refer Pryor pedigree for details.Sire of 18th SAHPA
			SA-1996-01300 3 times Alice Springs hen Bred by Buxton & Snyders Alan Thedes blood.Refer
		SA-2008-14521 BLUE CHEQUER PIED HEN GOODGER/PATERSON	SA -1996-13862 Bred by Grant Paterson, Gift from D.Cunningham.(Ref. Cunningham Pedigree)
			SA-1996-01300 3 times Alice Springs hen Bred by Buxton & Snyders Alan Thedes blood.Refer

Lot 48 BCPC SA2016 03233

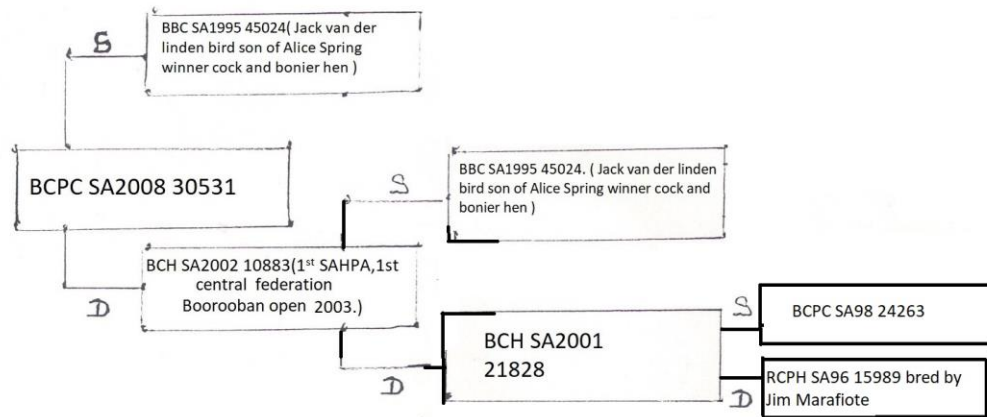
- Sire BCPC SA2008 30531 (refer lot 46)
- Dam BCH SA2012 13616 (refer lot 47)
- Have pedigree



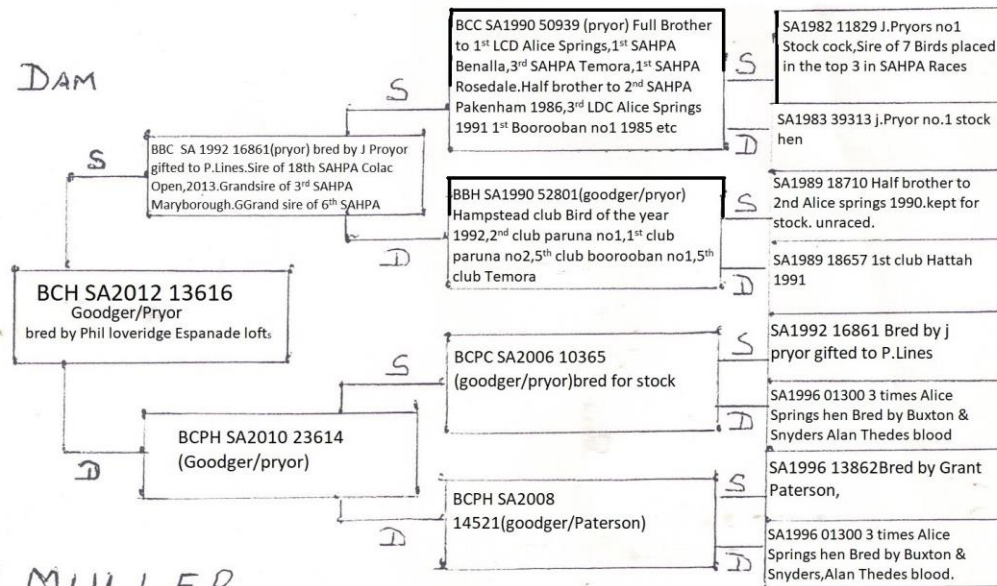


BCPC SA2016 03233

SIRE



DAM



R. MULLER

Lot 49 BC SA2017 05581

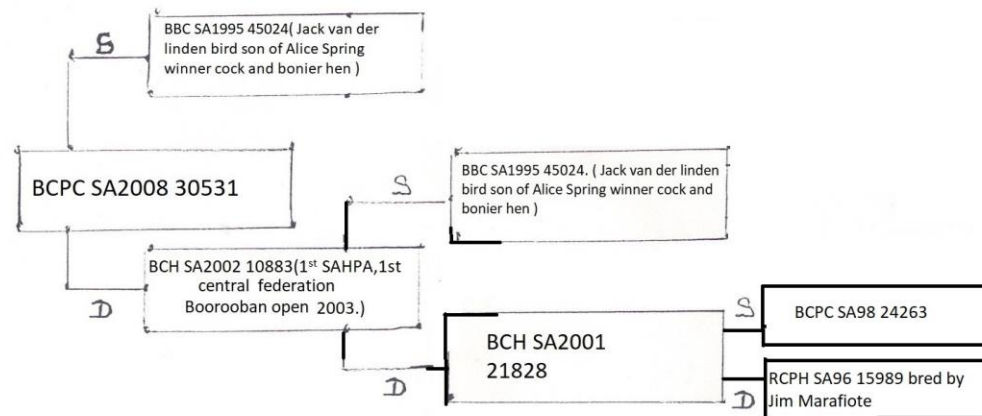
- Sire BCPC SA2008 30531 (refer lot 46)
- Dam BCH SA2012 13616 (refer lot 47)
- have pedigree



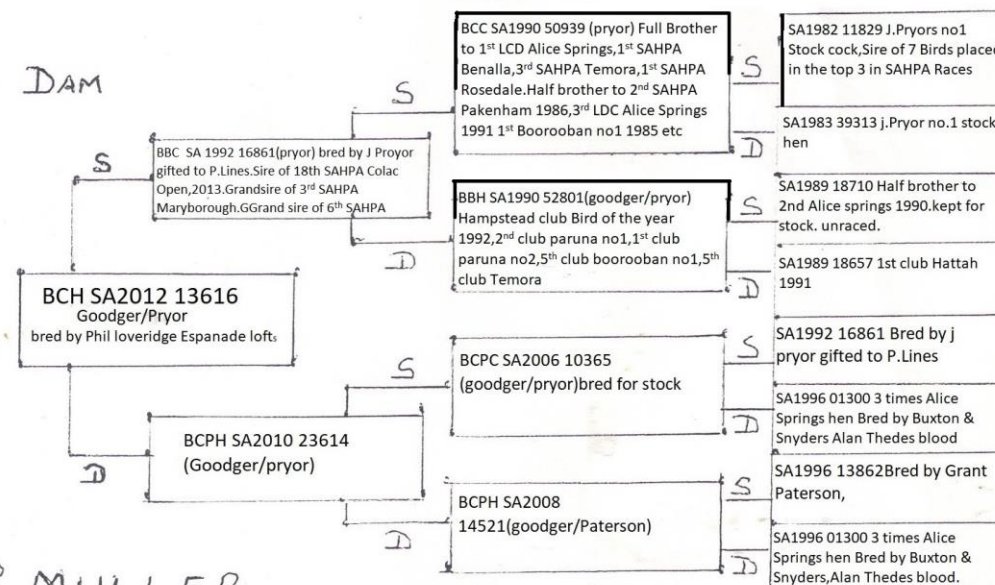


BC SA2017 05581

SIRE



DAM



R. MULLER

Lot 50 BCP SA2017 05511

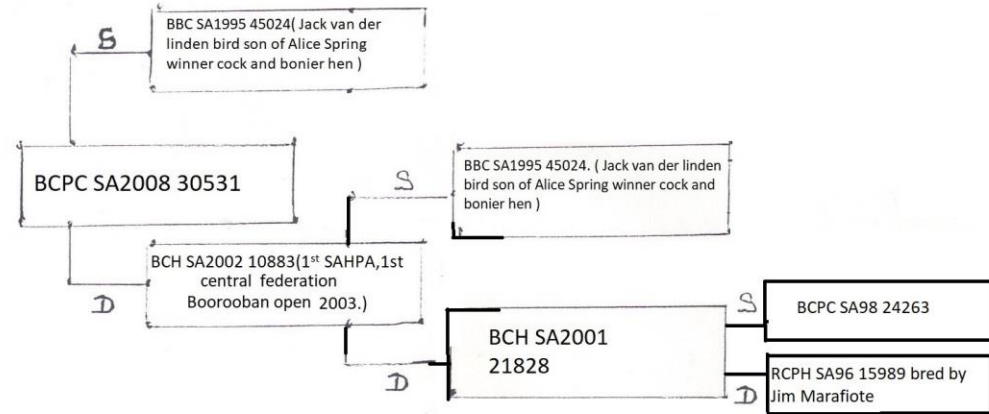
- Sire BCPC SA2008 30531 (refer lot 46)
- Dam BCH SA2012 13616 (refer lot 47)
- Have pedigree



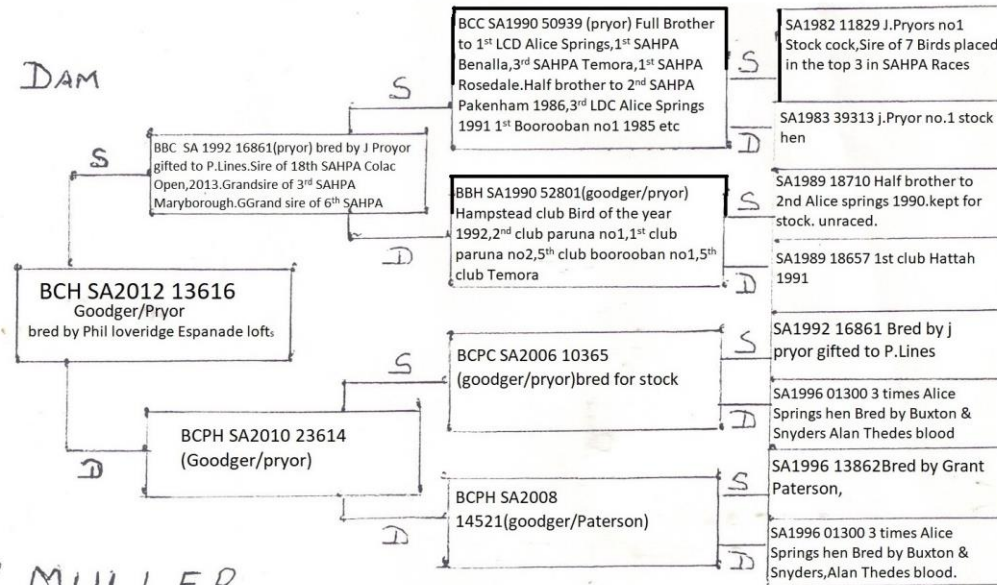


BCP SA2017 05511

SIRE



DAM



R. MULLER

Lot 51 BBC SA2007 04019

Unfortunately no information could be found on this bird.



Lot 52 BBC SA2011 12034

- Sire BBC SA2007 04019(refer lot 51)
- Dam BBH SA2007 36406 (Soojen)



Lot 53 RCH SA 2011 12019

- 42nd SAHPA, 14th group, 13th club
Hawker no.2 2015
- Sire RCC SA2004 34020 (father of
SAHPA winner)
- Dam BCH SA2006 29101



Lot 54 BCH SA2016 03226

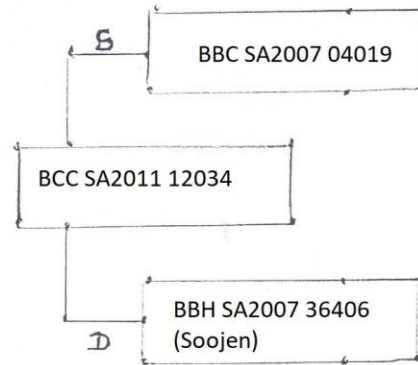
- Sire BCC SA2011 12034(refer lot 52)
- Dam RCH SA 2011 12019(refer lot 53)
- Have pedigree



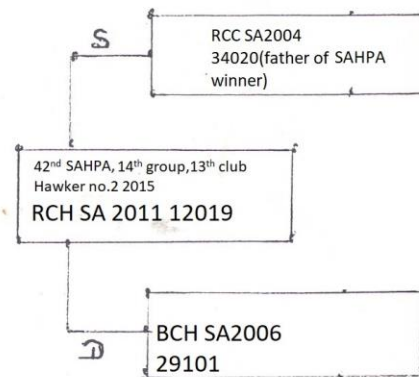


BCH SA2016 03226

SIRE



DAM



R. MULLER

Lot 55 BC SA2017 05554

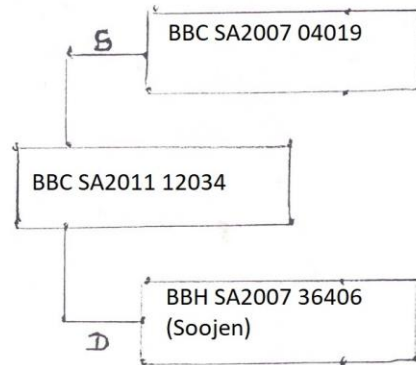
- Sire BBC SA2011 12034(refer lot 52)
- Dam RCH SA2011 12019(refer lot 53)
- Have pedigree



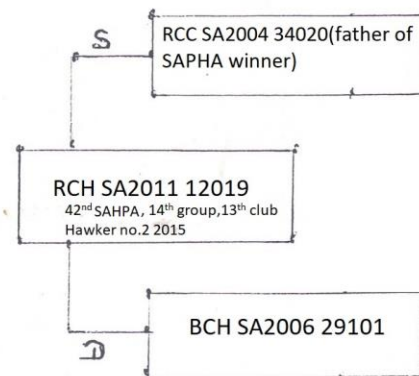


BC SA2017 05554

SIRE



DAM



R. MULLER

Lot 56 BC SA2017 05509

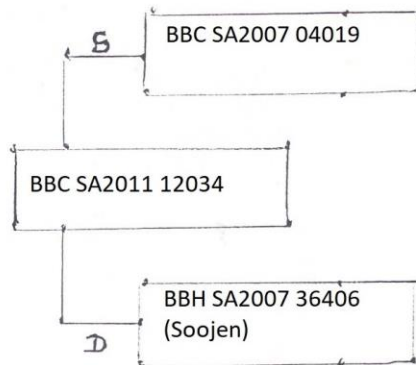
- Sire BBC SA2011 12034(refer lot 52)
- Dam RCH SA2011 12019(refer lot 53)
- Have pedigree



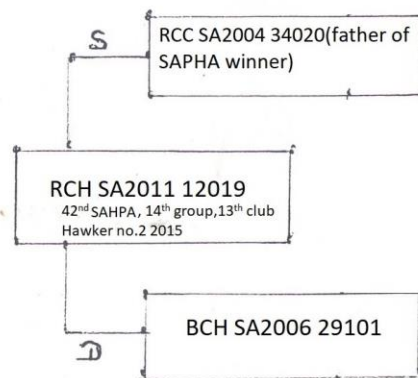


BC SA2017 05509

SIRE



DAM



R. MULLER

Lot 57 BCP SA 2017 05570

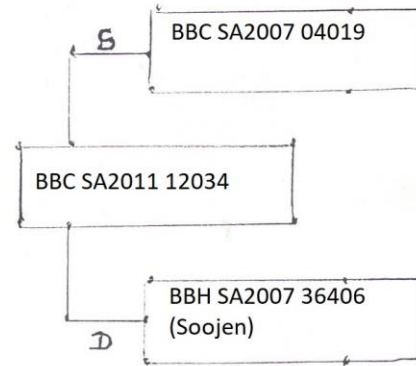
- Sire BBC SA2011 12034(refer lot 52)
- Dam RCH SA2011 12019(refer lot 53)
- Have pedigree



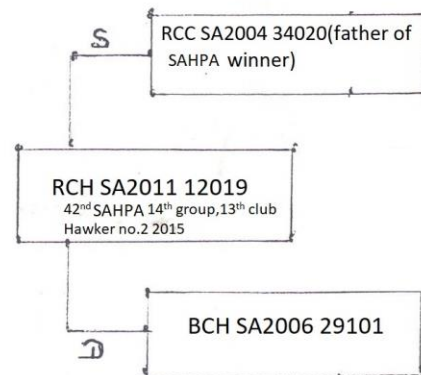


BCP SA 2017 05570

SIRE



DAM



R. MULLER

Lot 58 BCC small white band no ring

➤ Van Loon



Lot 59 BCH SA2008 30617

➤ Soojen



Lot 60 BC SA2017 05527

- Sire BCC White Marker (VanLoon) (refer lot 58)
- Dam BCH SA2008 30617 (Soojen) (refer lot 59)



Lot 61 BC SA2017 05526

- Sire BCC White Marker (Vanloon) (refer lot 58)
- Dam BCH SA2008 30617 (Soojen) (refer lot 59)
- This bird still going through moult when photo taken looks a lot better now.



Lot 62 BCC SA2013 10100

- Sire BCC White marker
Vanloon(refer lot 58)
- GrandSire BCC SA1994 08630
Granddam BCH SA2001 21981
Dam SA2004 01755



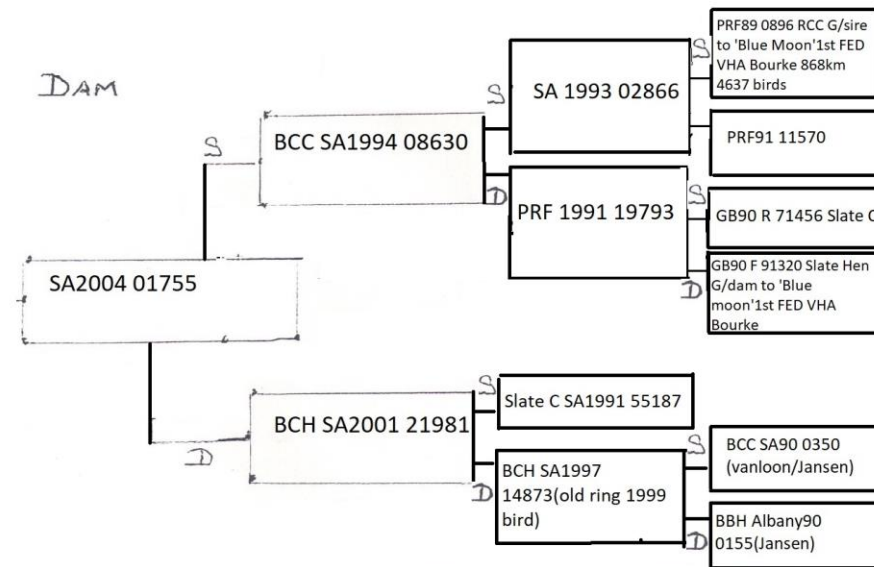


BCC SA2013 10100

SIRE

BCC White marker
Vanloon

DAM



R. MULLER

Lot 63 BC SA2017 05545

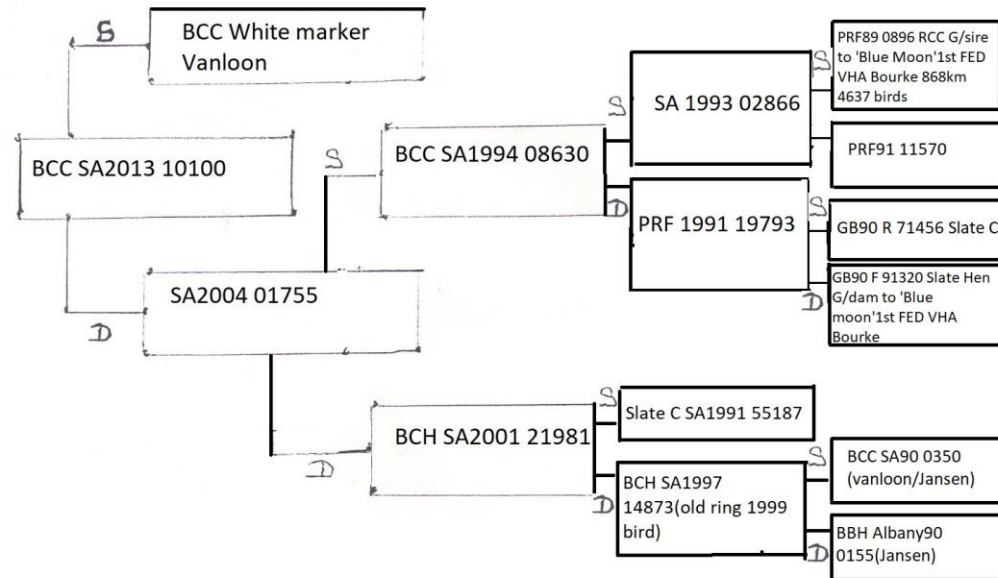
- Sire BCC SA2013 10100(refer lot 62)
- Dam BBH SA2011 12114
- Have pedigree





BC SA2017 05545

SIRE



DAM

BBH SA2011 12114
Mother of SAHPA Winner

R. MULLER

Lot 64 BB SA2017 05585

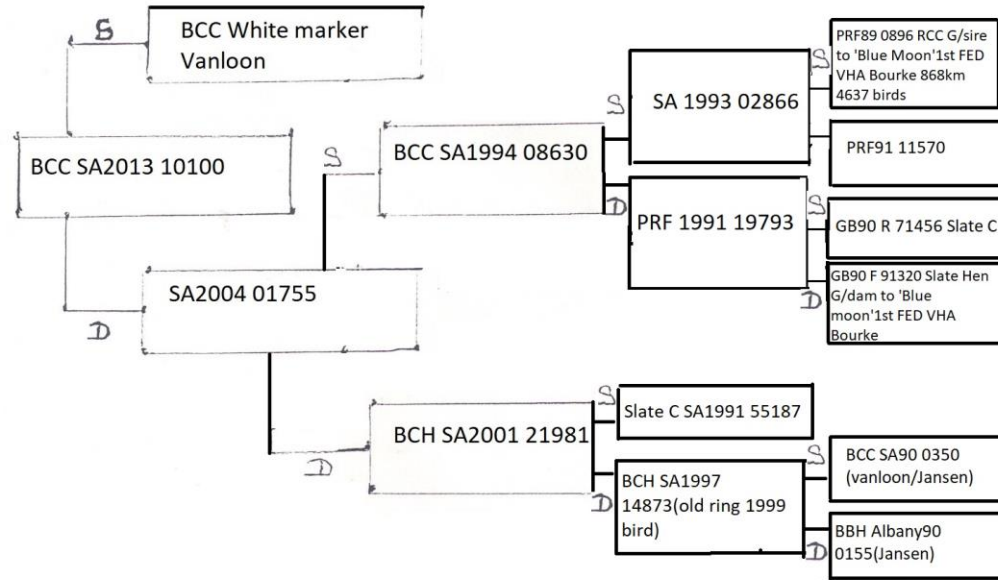
- Sire BBC SA2013 10100(refer lot 62)
- Dam BBH SA2011 12114
- Have pedigree





BB SA2017 05585

SIRE



DAM

BBH SA2011 12114
Mother of SAHPA Winner

R. MULLER

Lot 65 BBPH SA2015 01116

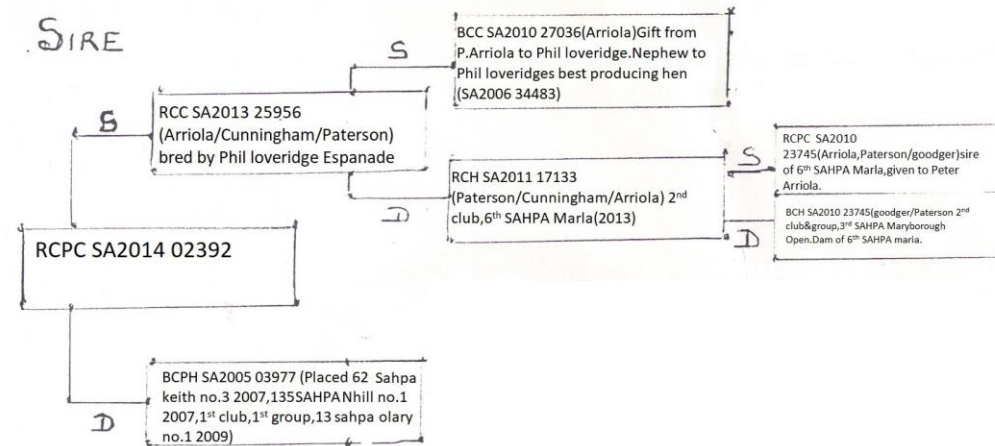
- ▶ Grandsire RCC SA2013 25956
Granddam BCPH SA2005 03977
(Placed 62 sapha keith no.3
2007,135 sapha Nhill no.1 2007,1st
club,1st group,13 sapha olary no.1
2009) Sire RCPC SA2014 02392
- ▶ Grandsire BCPC SA2008 30531
Granddam BCH SA2008 30529
Dam BBPH SA2013 10057(3rd
club,3rd group the twins open
2015.
- ▶ Have pedigree



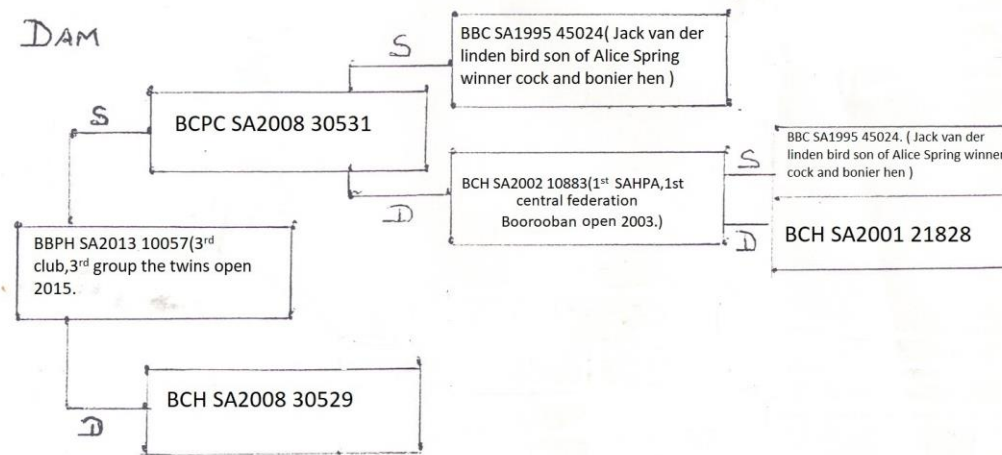


BBPH SA2015 01116

SIRE



DAM



R. MULLER

Lot 66 BC SA2016 03293

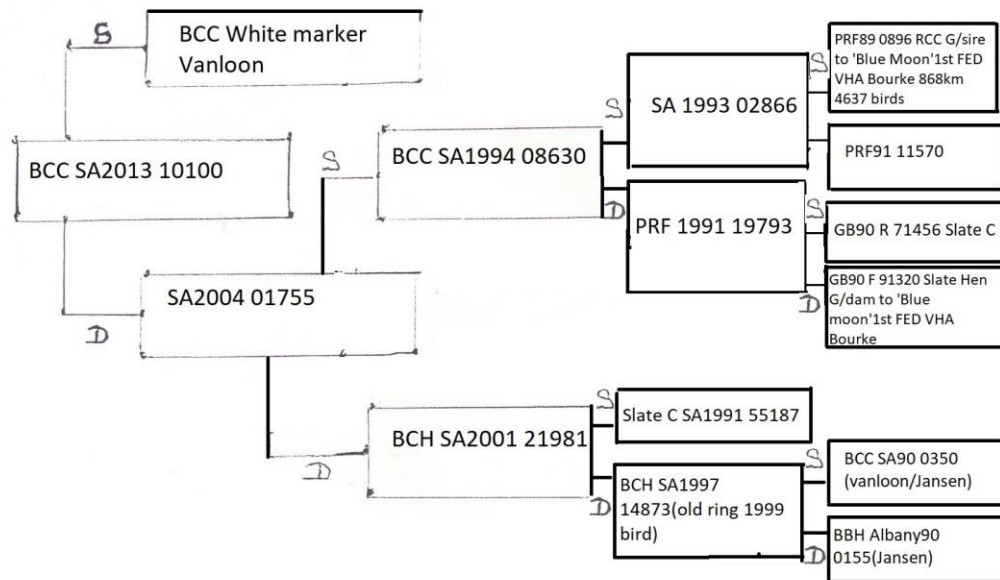
- Sire BCC SA2013 10100(refer lot 62)
- Dam BBPH SA2015 01116(refer lot 65)
- Have pedigree



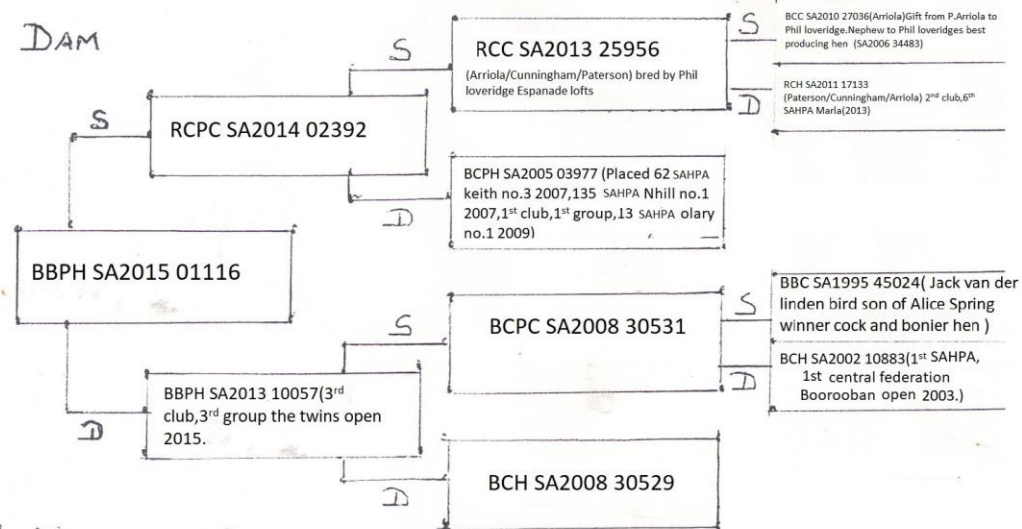


BC SA2016 03293

SIRE



DAM



R. MULLER

Lot 67 BCPC SA2016 03240

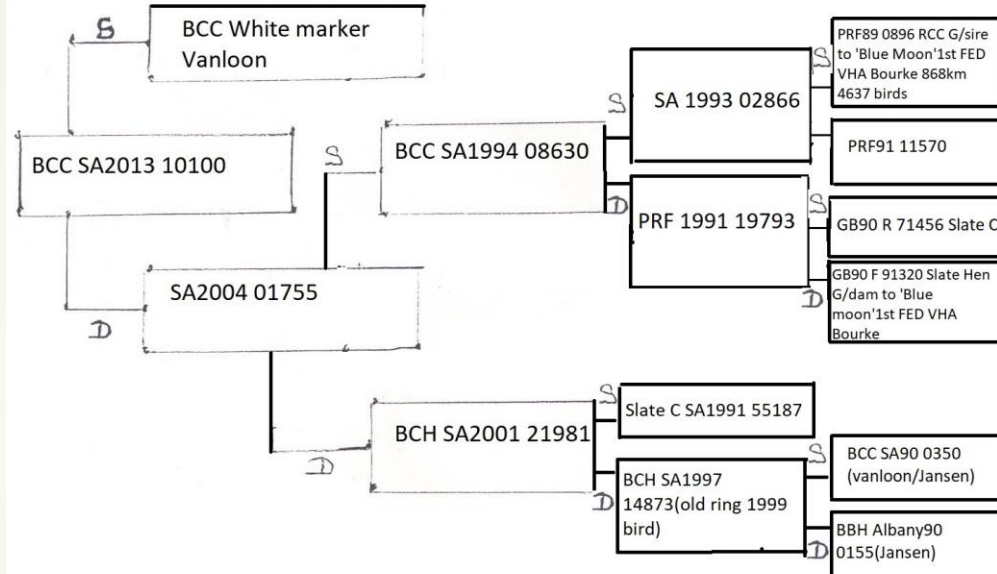
- Sire BCC SA2013 10100(refer lot 62)
- BBPH SA2015 01116(refer lot 65)
- Have pedigree



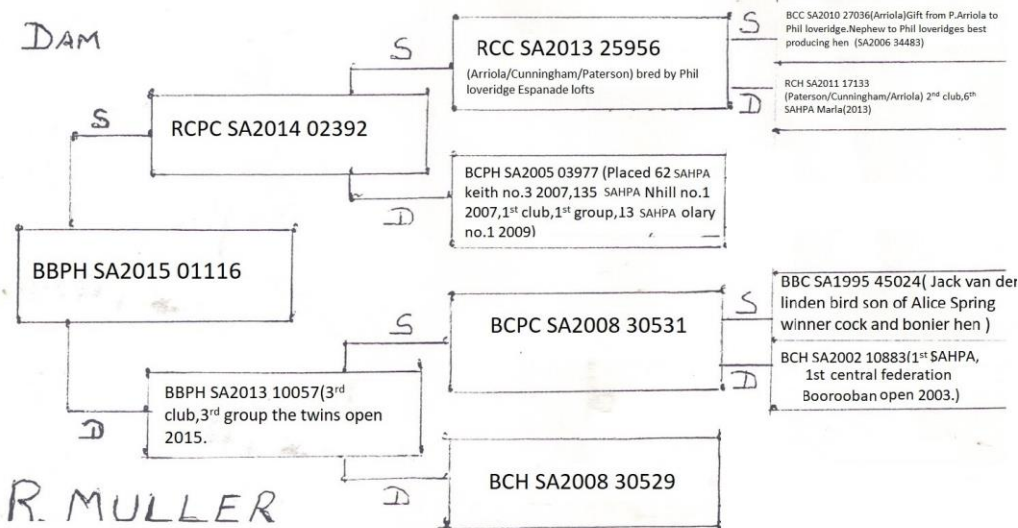


BCPC SA2016 03240

SIRE



DAM



R. MULLER

Lot 68 BCH SA2008 18802 (old rings 2010 bird) (mother and grandfather SAHPA winners)

- ▶ Sire BCC SA1995 45024 (Jack van der linden bird son of Alice Spring winner cock and bonier hen)
- ▶ Grandsire BBC SA1995 45024. (jack van der linden bird son of Alice Spring winner and bonier hen) Grandam BCH SA2001 21828 Dam BCH SA2002 10883 (1st SAHPA ,1st central federation Boorooban Open 2003.)
- ▶ Have pedigree



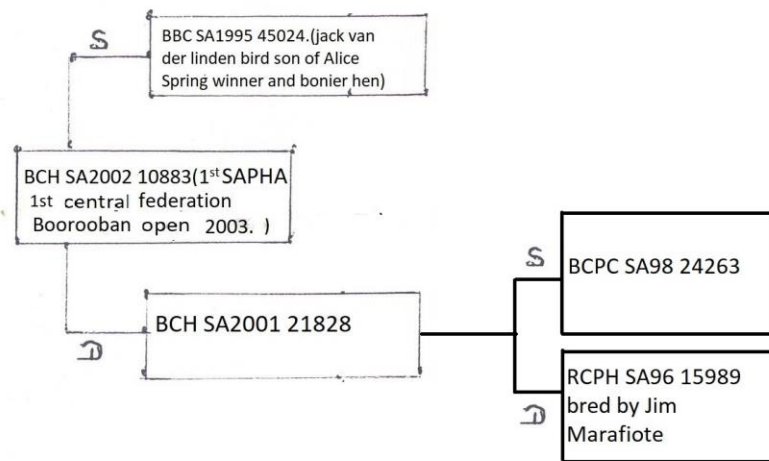


BCH SA2008 18802 (old rings
2010 bird)

SIRE

BCC SA1995 45024 (Jack van der
linden bird son of Alice Spring winner
cock and bonier hen)

DAM



R. MULLER

Lot 69 BCPC SA 2011 12108

- Pryor/goodger bred for stock



Lot 70 BC SA2017 05512

- Sire BCPC SA2011 12108(refer lot 69)
- Dam BCH SA2008 18802 (refer lot 68)
- Have pedigree



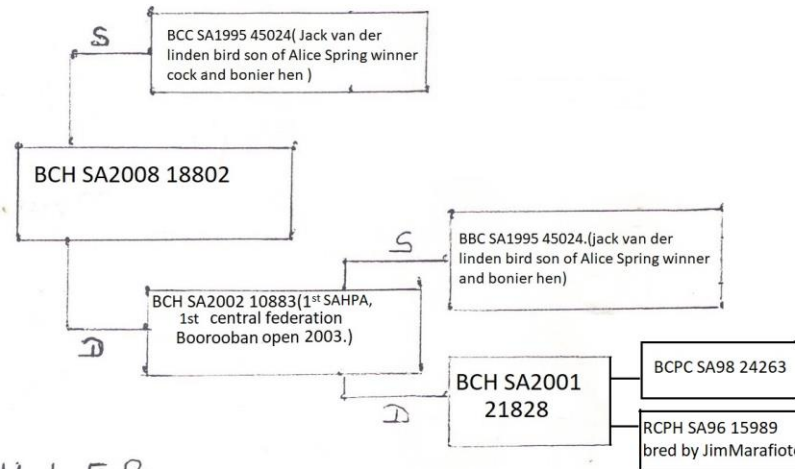


BC SA2017 05512

SIRE

BCPC SA2011 12108
Pryor/goodger

DAM



R. MULLER

Lot 71 BC SA2017 05518

- Sire BCPC SA2011 12108(refer lot 69)
- Dam BCH SA 2008 18802(refer lot 68)
- Have pedigree



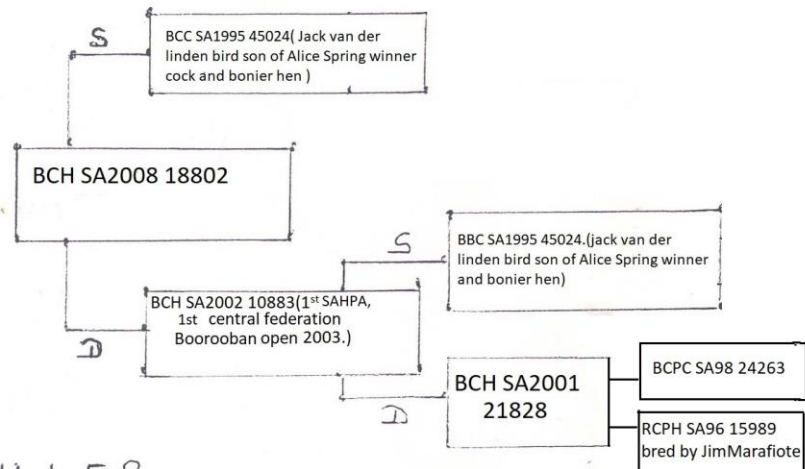


BC SA2017 05518

SIRE

BCPC SA2011 12108
Pryor/goodger

DAM



R. MULLER

Lot 72 BCP SA2017 05517

- Sire BCPC SA2011 12108(refer lot 69)
- Dam BCH SA2008 18802(refer lot 68)
- Have pedigree



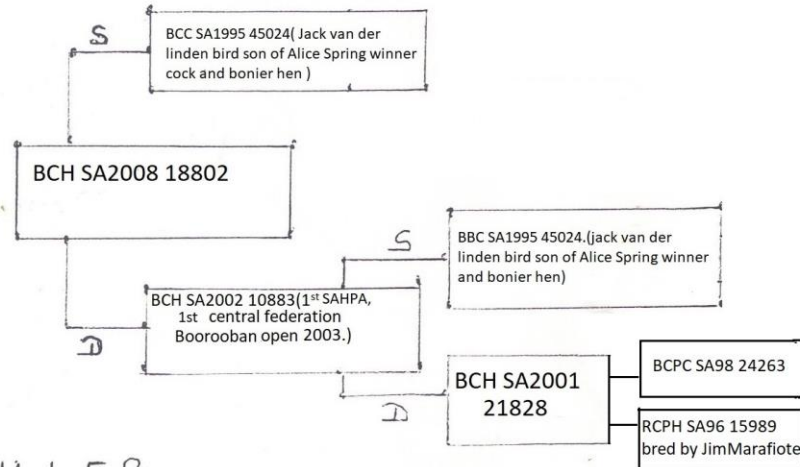


BCP SA2017 05517

SIRE

BCPC SA2011 12108
Pryor/goodger

DAM



R. MULLER

Lot 73 BC SA2016 03287

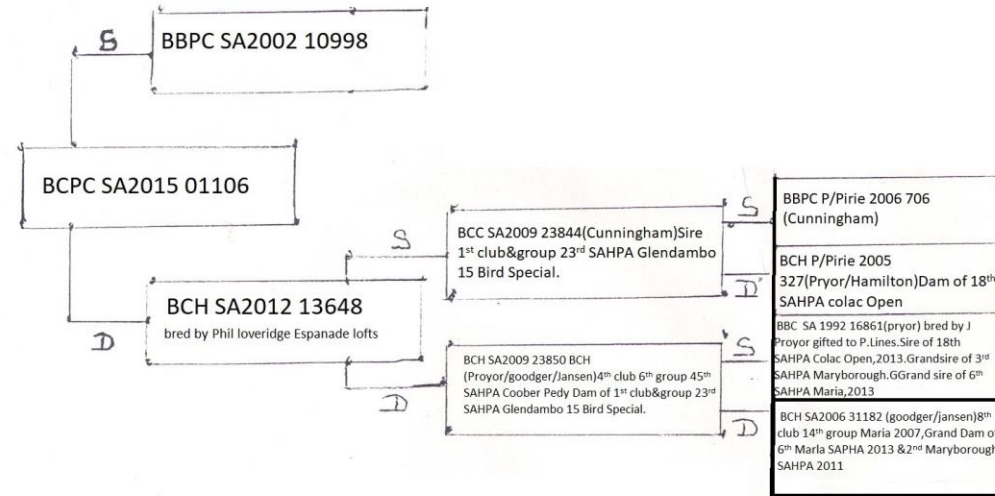
- Grandsire BBPC SA2002 10998
Granddam BCH SA2012
13648(refer to lot 118)
Sire BCPC SA2015 01106
- Grandsire BCPC SA2011
12108(refer to lot 69)
Granddam BCH SA2008
18802(refer to lot 68)
Dam BCPH SA2013 24588(2nd
club,5th group,34 sahpa
Cowangie 260km)
- Have pedigree



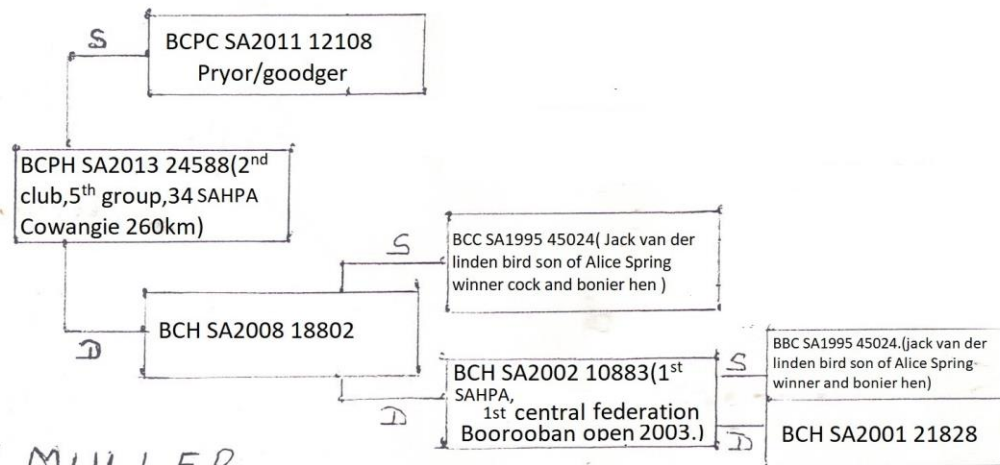


BC SA2016 03287

SIRE



DAM



R. MULLER

Lot 74 BCP SA2017 05543

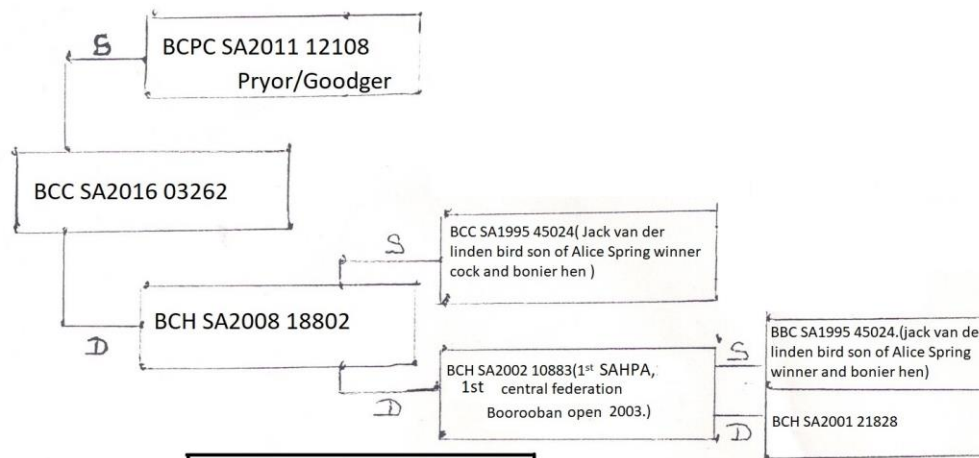
- ▶ GrandSire BCPC SA2011 12108(refer to Lot 69)
- ▶ GrandDame BCH SA2008 18802 (refer to lot 68)
Sire BCC SA2016 03262
- ▶ Dam RCPH SA2011 17083
- ▶ Have pedigree



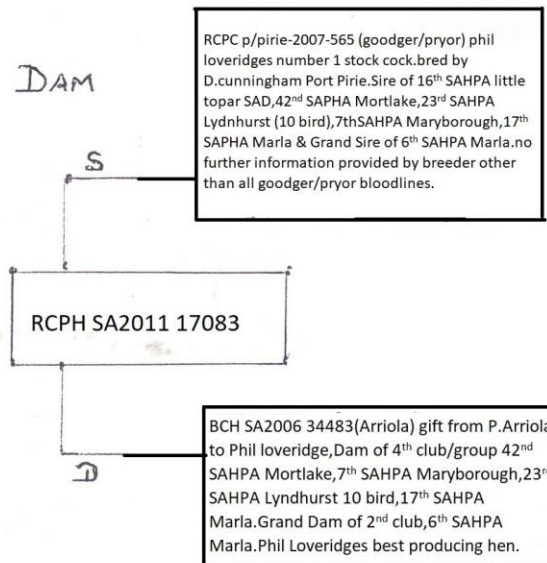


BCP SA2017 05543

SIRE



DAM



R. MULLER

Lot 75 BBP SA2017 05544

► GrandSire BCPC SA2011
12108(refer to lot 69)

GrandDame BCH SA2008
18802(refer to lot 68) Sire BCC
SA2016 03262

► Dam RCPH SA2011 17083

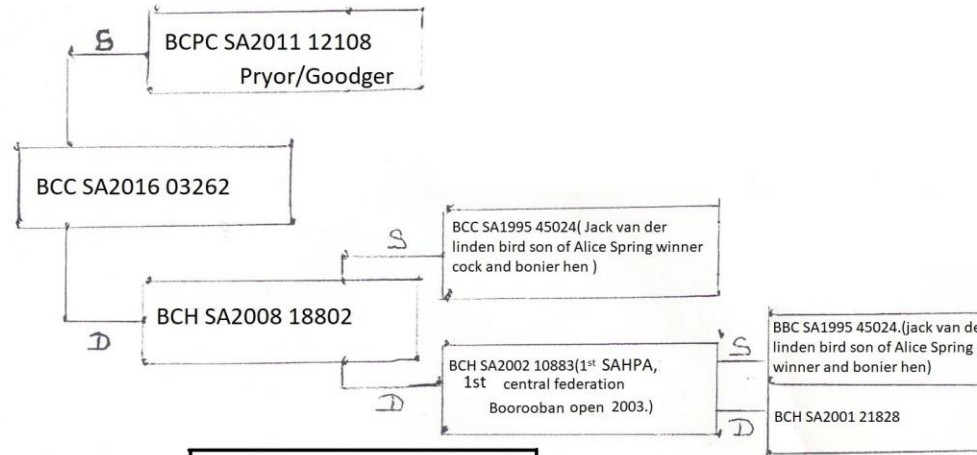
► Have Pedigree



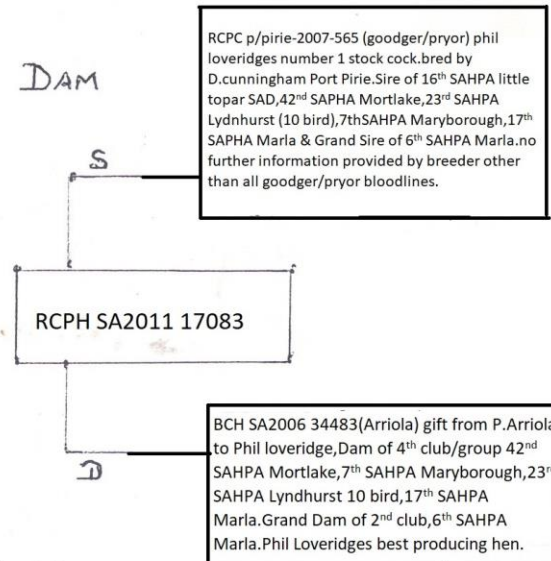


BBP SA2017 05544

SIRE



DAM



R. MULLER

Lot 76 RC SA2017 05568

- ▶ GrandSire BCPC SA2011
12108(refer to lot 69)

GrandDame BCH SA2008
18802(refer to lot 68) Sire BCC
SA2016 03262

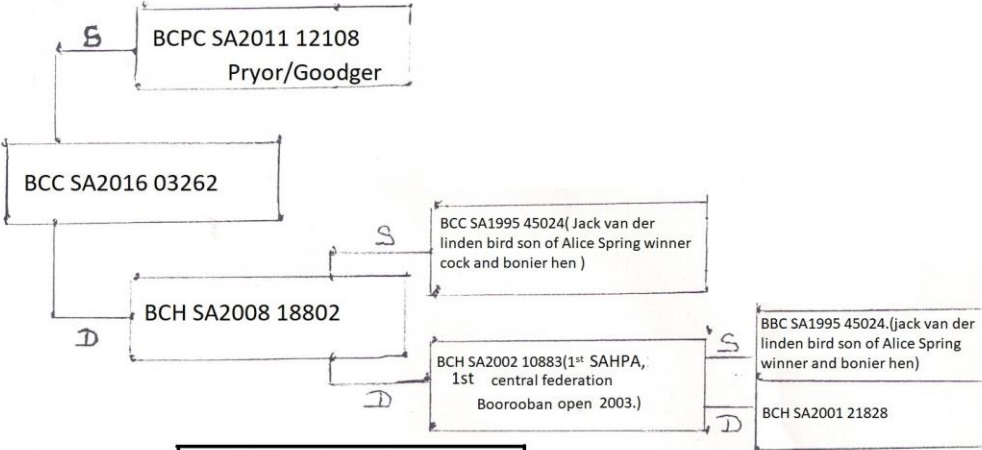
- ▶ Dam RCPH SA2011 17083
- ▶ Have Pedigree



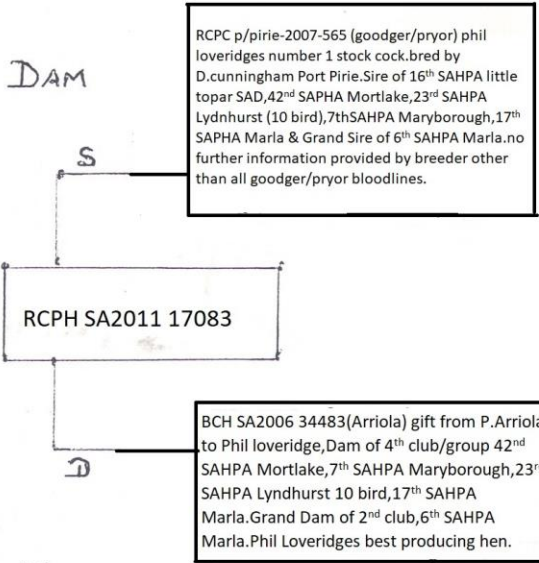


RC SA2017 05568

SIRE



DAM



R. MULLER

Lot 77 BC SA2017 05513

► GrandSire BCPC SA2011
12108(refer to lot 69)

GrandDame BCH SA2008 18802
(refer to lot 68) Sire BCC SA2016
03262

► Dam RCPH SA2011 17083

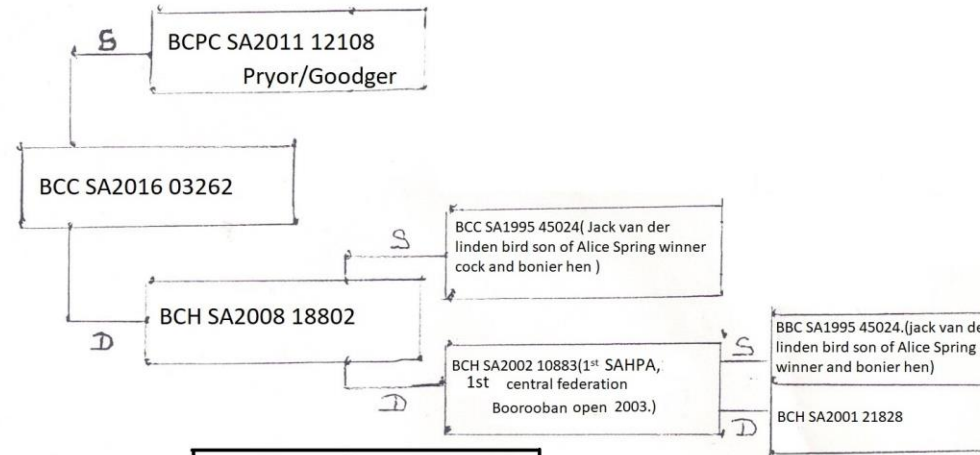
► Have pedigree



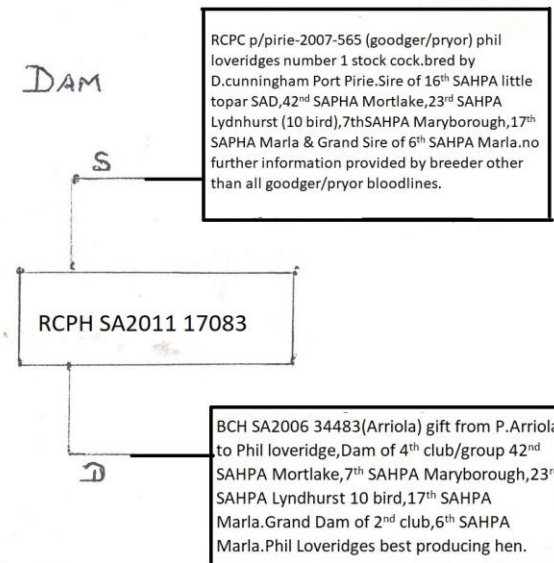


BC SA2017 05513

SIRE



DAM



R. MULLER

Lot 78 BCPC SA2009 22618

- ▶ Grandsire BBC GB1991 43782 (staf van reet) Grandam BCH GB1991 97366 (staf van reet) Sire BBC SA2002 10826
- ▶ Grandsire BBC GB 1991 43782(staf van reet) Granddam GB1991 97366 (Staf van reet) Dam BCH SA1999 45544



Lot 79 BCPH SA2016 03273

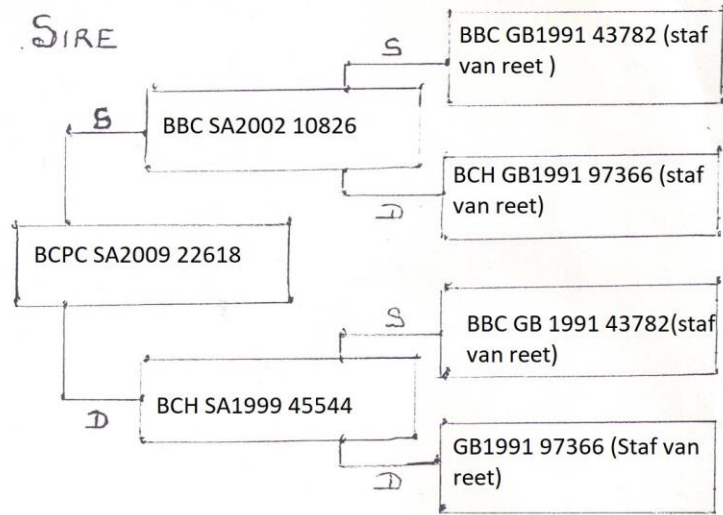
- Sire BCPC SA2009 22618(refer to lot 78)
- Dam BCH SA2012 13658.
- Have pedigree



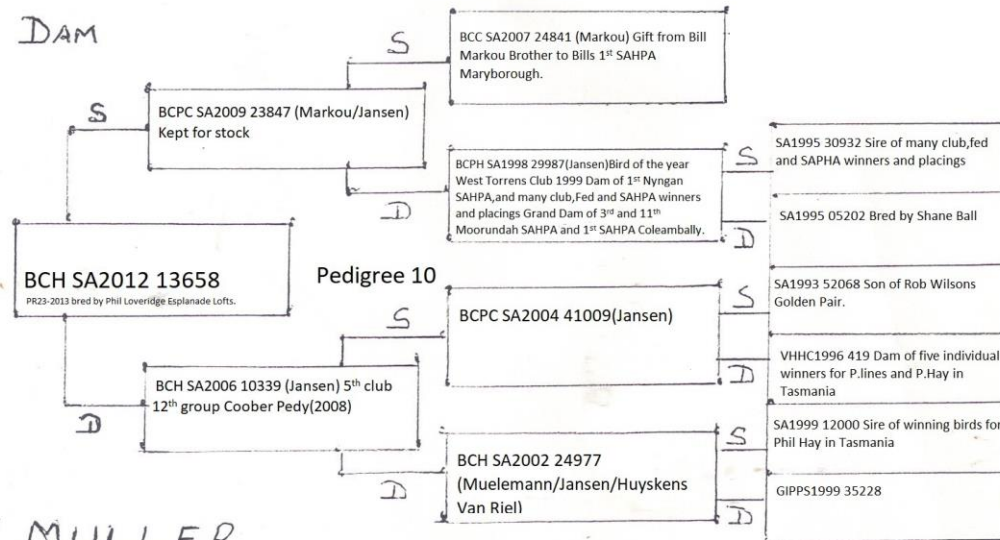


BCPH SA2016 03273

SIRE



DAM



R. MULLER

Lot 80 BBH SA2010 21114

➤ Soojen



Lot 81 BCPH SA2014 02340

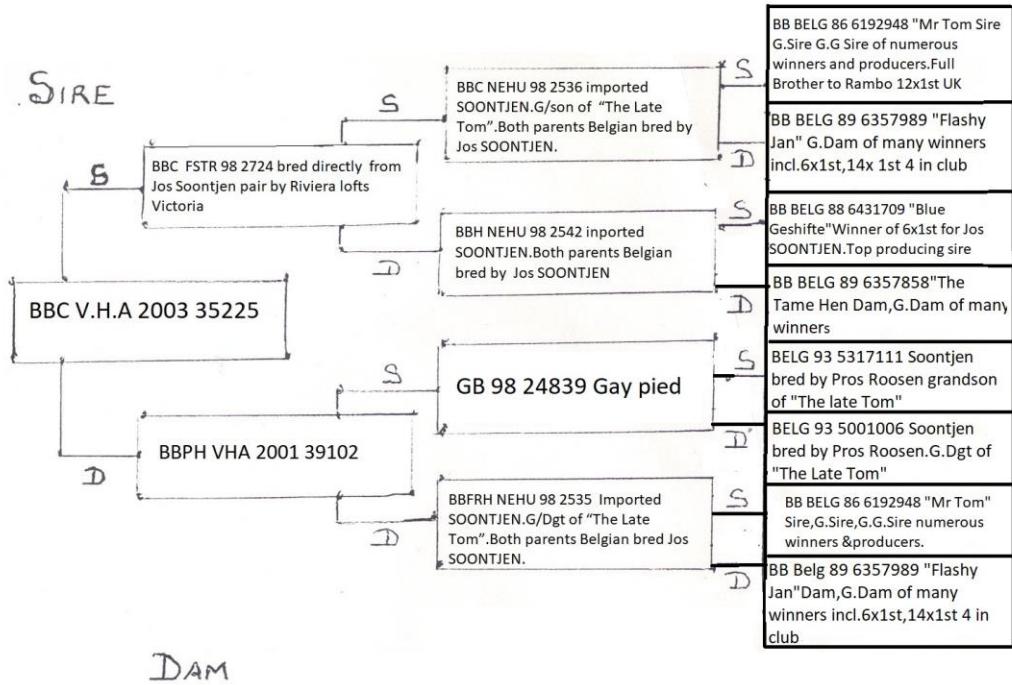
- ▶ 3rd club stirling north verco 20 bird 2016
- ▶ Sire BBC V.H.A 2003 35225(soontjen"riviera lofts")
- ▶ Dam BBH SA2010 21114(soojen) (refer to lot 80)



BCPH SA2014 02340



3rd club stirling north verco 20 bird
2016



BBH SA2010
21114(soojen)

R. MULLER

lot 82 BCPH SA2016 03264

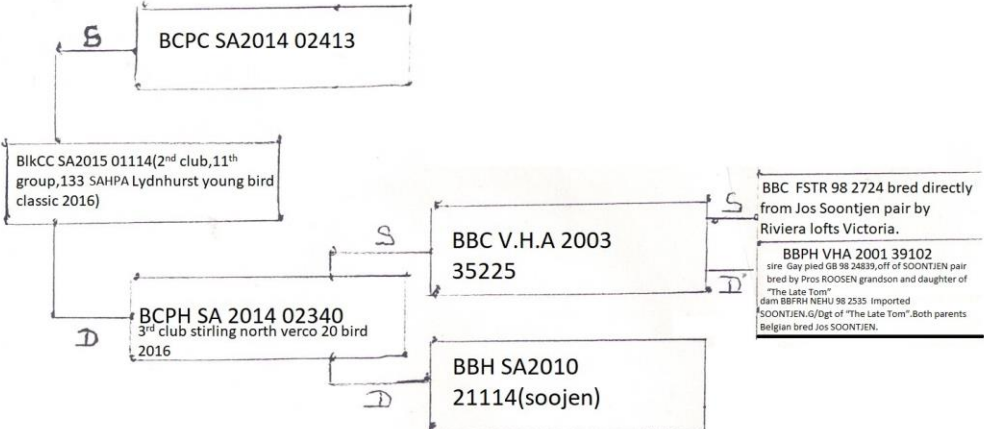
- ▶ Grandsire BCPC SA2014 02413
Granddam BCPH SA 2014 02340
(refer to lot 81) Sire
BlkCC SA2015 01114(2nd club,11th
group,133 sahpa Lydnhurst young
bird classic 2016)
- ▶ Grandsire BCPC SA2008 30531
Granddam BCH SA2008 30529
Dam BBPH SA2013 10057(3rd
club,3rd group,34th sahpa The
twins open 2015)
- ▶ Have pedigree



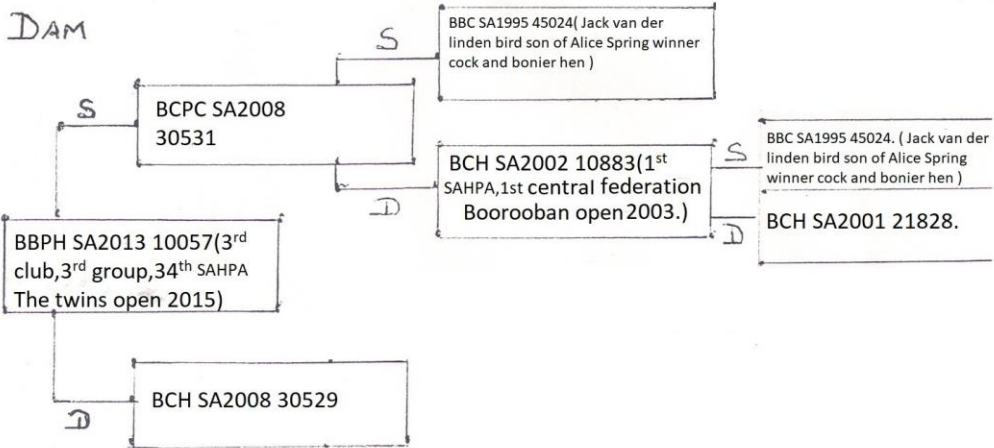


BCPH SA2016 03264

SIRE



DAM



R. MULLER

Lot 83 BCH SA2016 03224

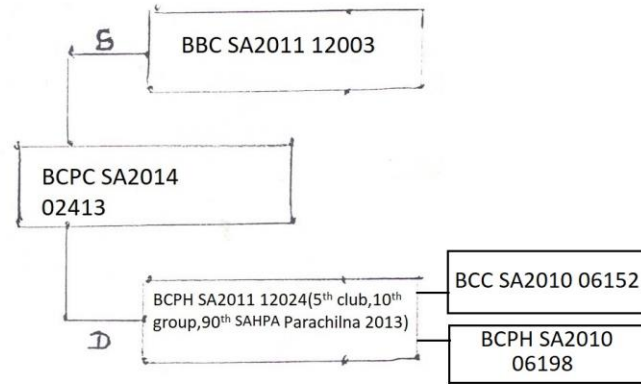
- ▶ Grandsire BBC SA2011 12003
Granddam BCPH SA2011
12024(5th club,10th group,90th
SAHPA Parachilna 2013)
Sire BCPC SA2014 02413
- ▶ Dam BCPH SA2014 02340(refer lot
81)
- ▶ Have pedigree



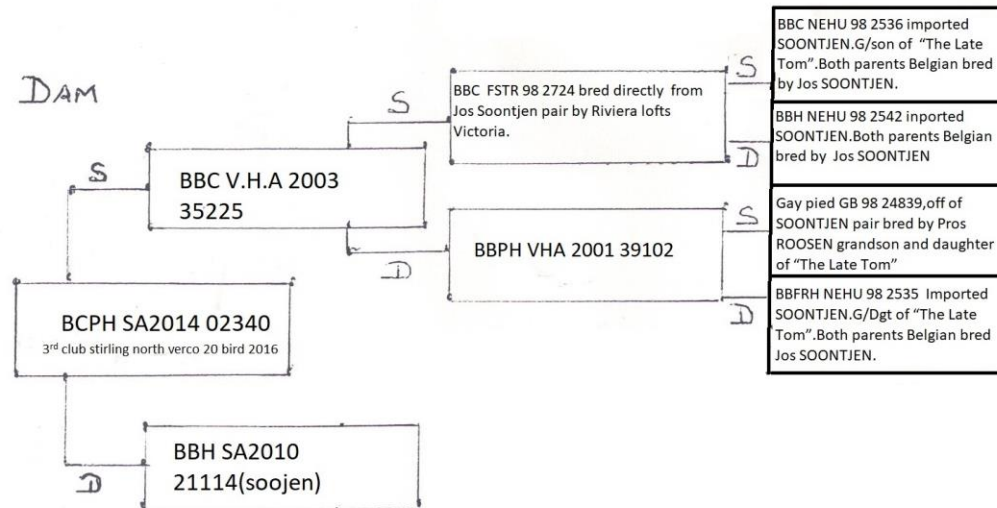


BCH SA2016 03224

SIRE



DAM



R. MULLER

Lot 84 BCP SA2017 05556

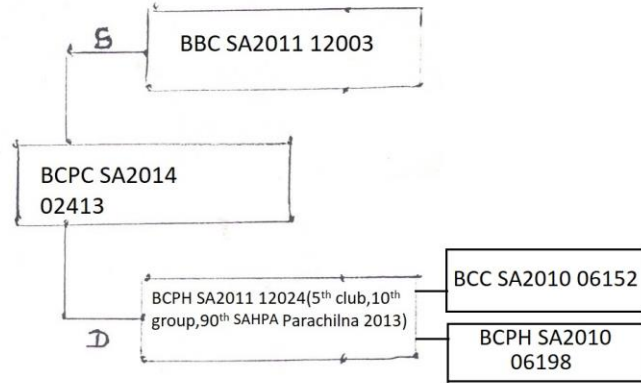
- ▶ GrandSire BCC SA2011 12003
Granddam BCPH SA2011
12024(5th club,10th group,90th
sahpa Parachilna 2013) Sire
BCPC SA2014 02413
- ▶ Dam BCPH SA2014 02340(refer lot
81)
- ▶ Have pedigree



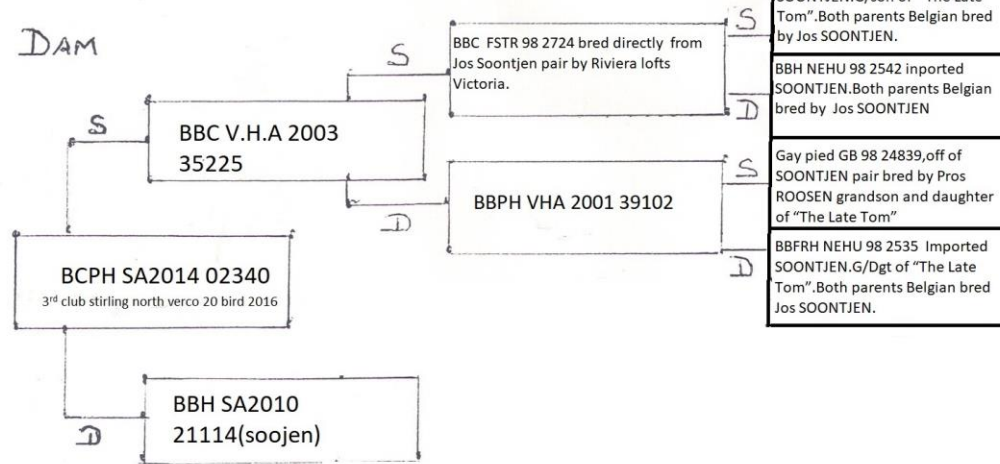


BCP SA2017 05556

SIRE



DAM



BBC NEHU 98 2536 imported SOONTJEN.G/son of "The Late Tom". Both parents Belgian bred by Jos SOONTJEN.

BBH NEHU 98 2542 imported SOONTJEN.Both parents Belgian bred by Jos SOONTJEN

Gay pied GB 98 24839,off of SOONTJEN pair bred by Pros ROOSEN grandson and daughter of "The Late Tom"

BBFRH NEHU 98 2535 Imported SOONTJEN.G/Dgt of "The Late Tom". Both parents Belgian bred Jos SOONTJEN.

R. MULLER

Lot 85 BCP SA2017 05555

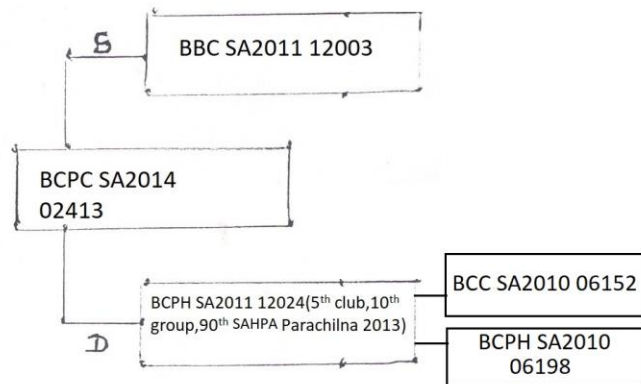
- ▶ Grandsire BBC SA2011 12003
Granddam BCPH SA2011
12024(5th club,10th group,90th
sahpa Parachilna 2013) Sire BCPC
SA2014 02413
- ▶ Dam BCPH SA2014 02340(refer lot
81
- ▶ Have pedigree



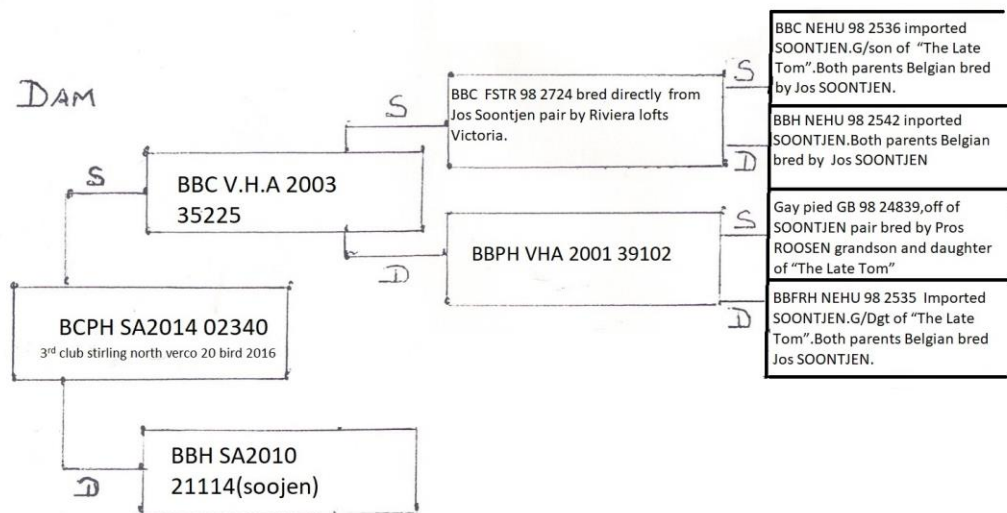


BCP SA2017 05555

SIRE



DAM



R. MULLER

Lot 86 BCP SA2014 02283 (old ring 2016 bird)

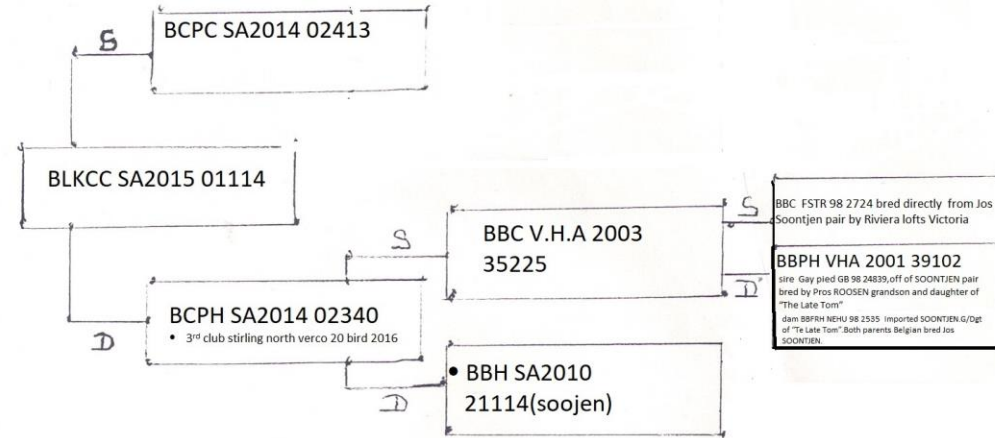
- ▶ Grand sire BCPC SA2014 02413
Granddam BCPH SA2014 02340
(refer to lot 81) Sire BLKCC
SA2015 01114
- ▶ Grandsire BCPC SA2008 30531
Granddam BCH SA2008 30529 (2nd
club, 2nd group, 12 sahpa Hawker
no.1 2009) Dam BBPH SA2013
10057 (3rd club, 3rd group the twins
open 2015.
- ▶ Have pedigree



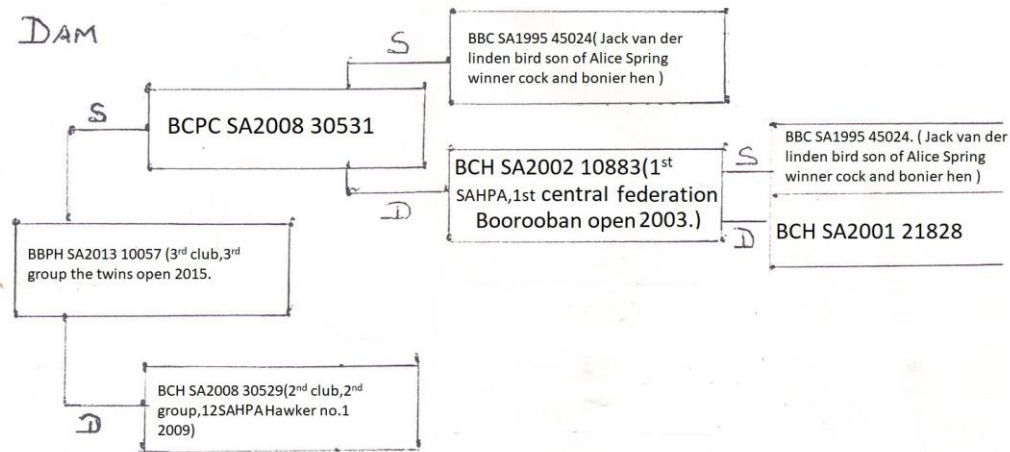


BCP SA2014 02283(old ring 2016 bird)

SIRE



DAM



R. MULLER

Lot 87 BBC SA 2011 12045

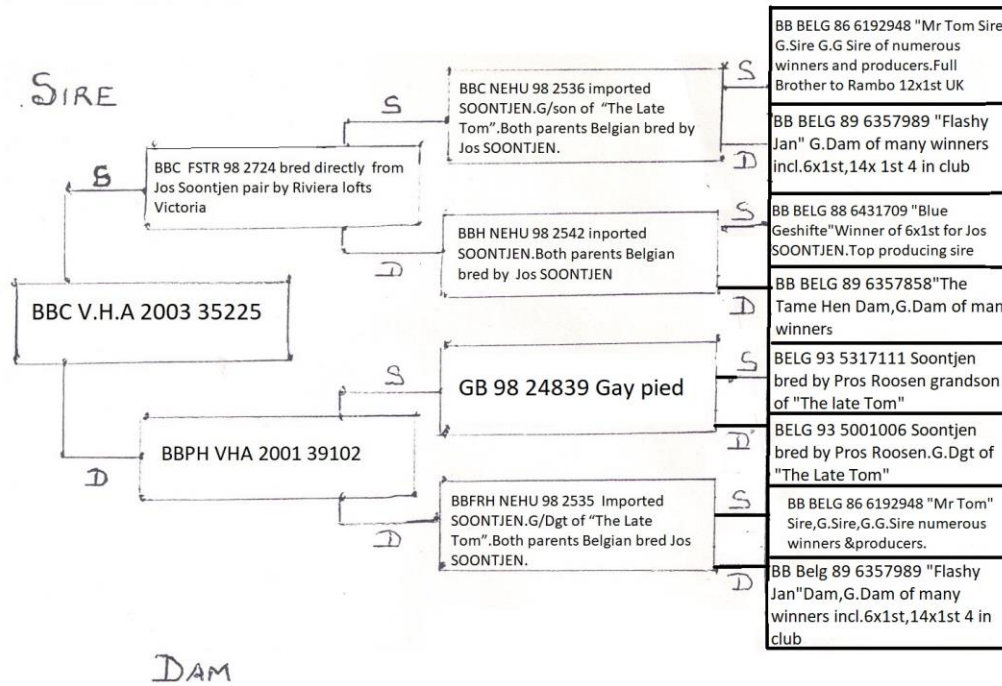
- ▶ 3rd club, 8th group, 57 SAHPA Carrieton no2 2014
- ▶ 1st club, 2nd group, 49 SAHPA Hawker no.2 2014
- ▶ 1st club, 1st group, 14 SAHPA bookaloo verco series 2015
- ▶ Sire BCC V.H.A 2003 35225(soontjen "riviera lofts")
- ▶ Dam BBH SA2010 21114(soojen) (refer to lot 80)
- ▶ Have pedigree,





88 BBC SA 2011 12045

3rd club, 8th group, 57 SAHPA Carrieton no2 2014
 1st club, 2nd group, 49 SAHPA Hawker no.2 2014
 1st club, 1st group, 14 SAHPA bookaloo verco series
 2015



BBH SA2010
 21114(soojen)

R. MULLER

Lot 88 BBH SA2016 03300

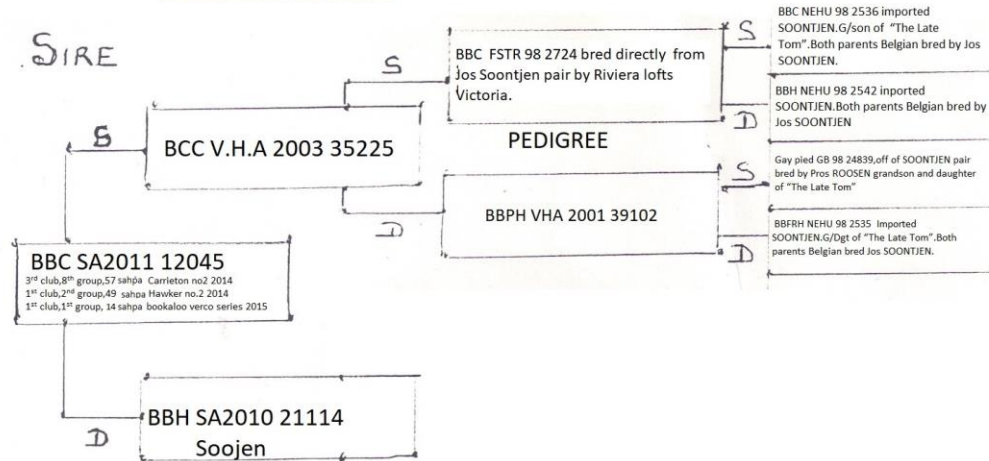
- Sire BBC SA2011 12045(refer to lot 87)
- Dam BCH SA2015 01091
- Have pedigree



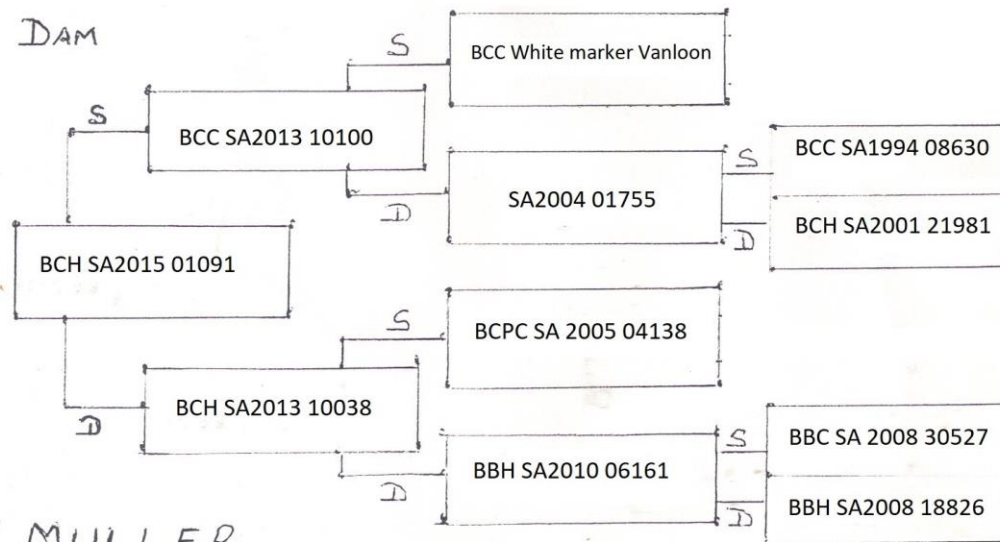


BBH SA2016 03300

SIRE



DAM



R. MULLER

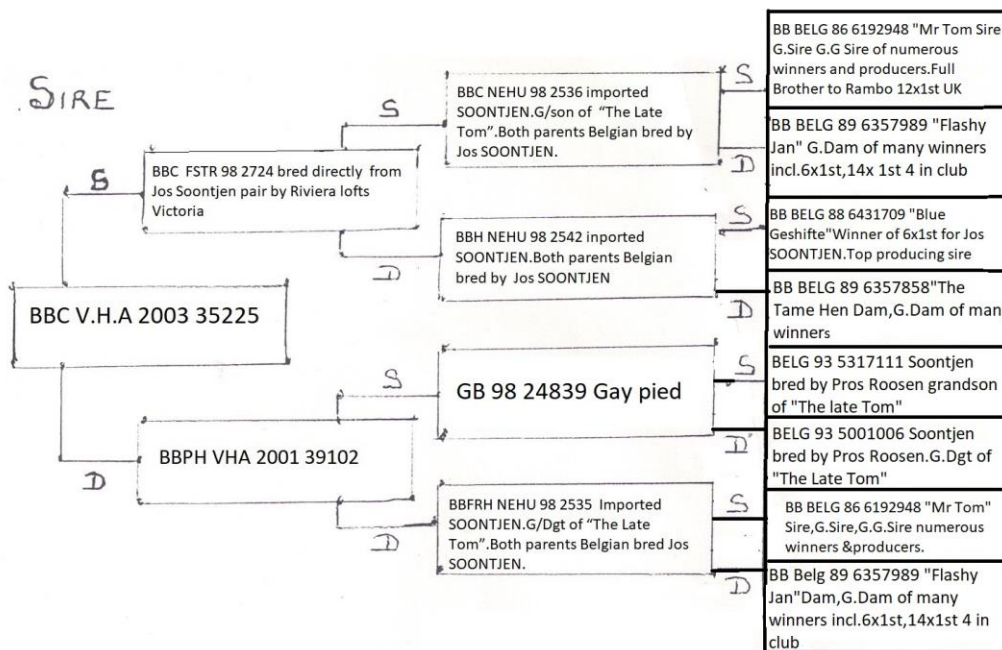
Lot 89 BBPH SA2011 12083

- Sire BBC V.H.A 2003
35225(soontjen"riviera lofts")
- Dam BBH SA2010 21114(soojen)
(refer to lot 80)
- Have pedigree





BBPH SA2011 12083



BBH SA2010
21114(soojen)

R. MULLER

Lot 90 RCPC SA2014 02271

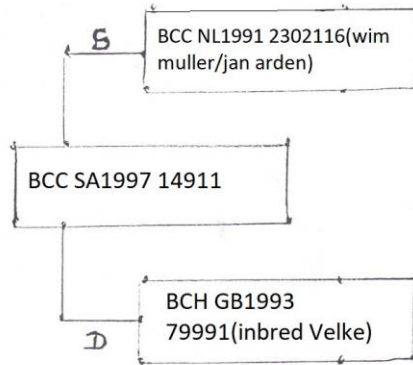
- ▶ Grandsire BCC NL1991
2302116(wim muller/jan arden)
Granddam BCH GB1993
79991 (inbred Velke) Sire BCC
SA1997 14911
- ▶ Dam RCPH SA2011 17083



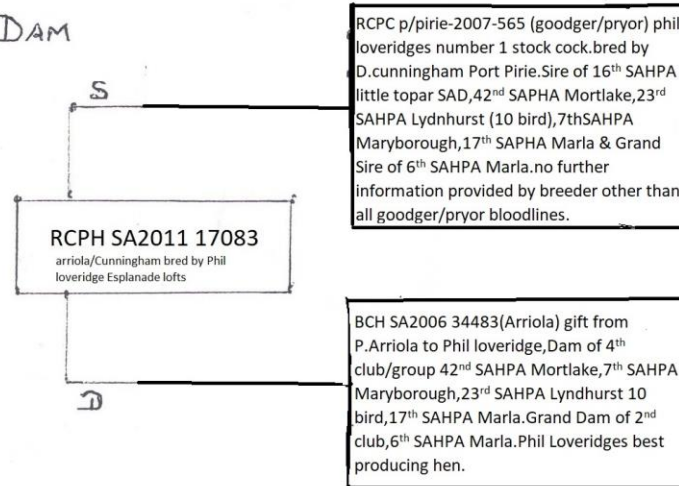


RCPC SA2014 02271

SIRE



DAM



R. MULLER

Lot 91 BCH SA2016 03289

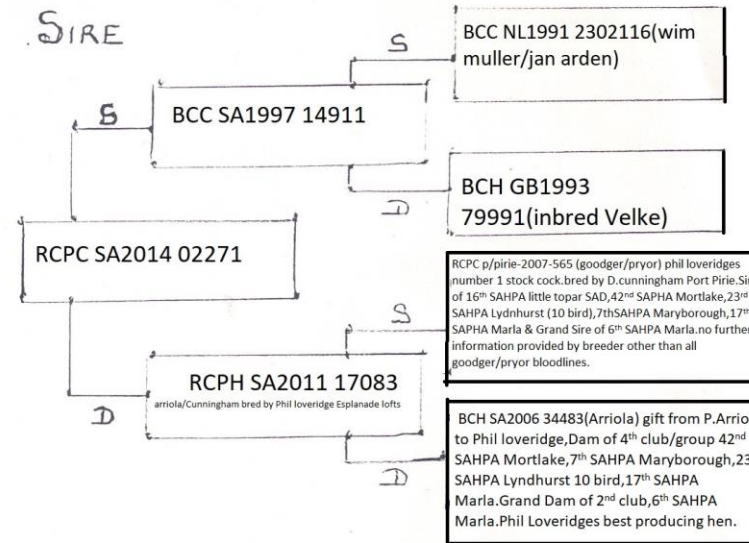
- Sire RCPC SA2014 02271 (refer to bird 90)
- Dam BBPH SA2011 12083,(refer to bird 91)
- Have pedigree





BCH SA2016 03289

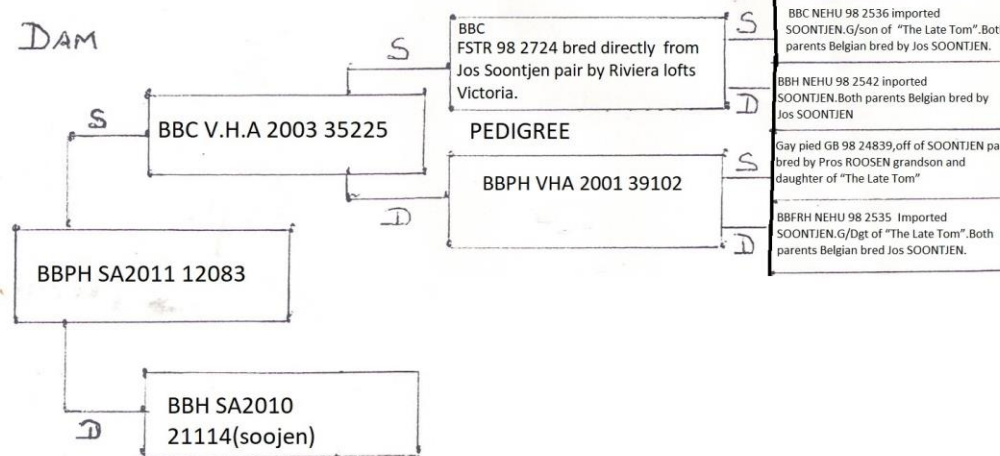
SIRE



RCPC n/pirie-2007-565 (goodger/pryor) phil loveridges number 1 stock cock bred by D.cunningham Port Pirie. Sire of 16th SAHPA little topaz SAD, 42nd SAHPA Mortlake, 23rd SAHPA Lyndhurst (10 bird), 7th SAHPA Maryborough, 17th SAHPA Marla & Grand Sire of 6th SAHPA Marla. no further information provided by breeder other than all goodger/pryor bloodlines.

BCH SA2006 34483(Arriola) gift from P.Arriola to Phil loveridge, Dam of 4th club/group 42nd SAHPA Mortlake, 7th SAHPA Maryborough, 23rd SAHPA Lyndhurst 10 bird, 17th SAHPA Marla. Grand Dam of 2nd club, 6th SAHPA Marla. Phil Loveridges best producing hen.

DAM



BBC NEHU 98 2536 imported SOONTJEN. G/son of "The Late Tom". Both parents Belgian bred by Jos SOONTJEN.

BBH NEHU 98 2542 imported SOONTJEN. Both parents Belgian bred by Jos SOONTJEN

Gay pied GB 98 24839, off of SOONTJEN pair bred by Pros ROOSEN grandson and daughter of "The Late Tom"

BBFRH NEHU 98 2535 Imported SOONTJEN. G/Dgt of "The Late Tom". Both parents Belgian bred Jos SOONTJEN.

R. MULLER

Lot 92 MLYPH SA2016 03242

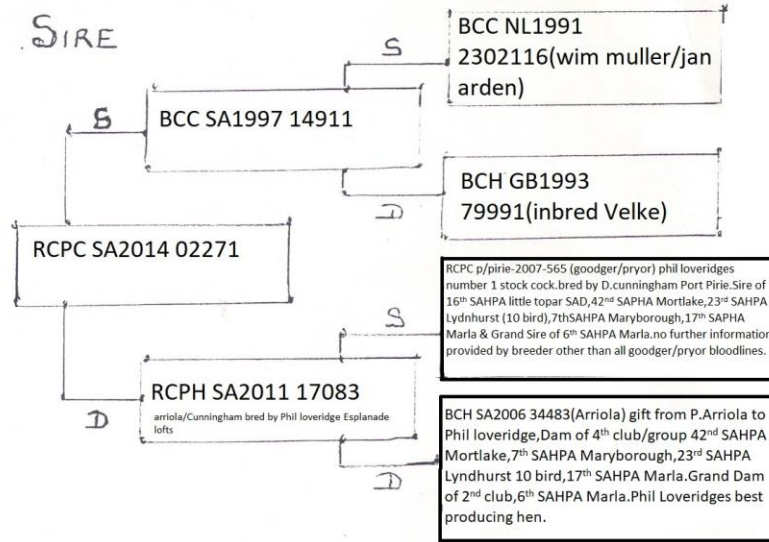
- Sire RCPC SA2014 02271 (refer to bird 90)
- Dam BBPH SA2011 12083 (refer to bird 89)
- Have pedigree



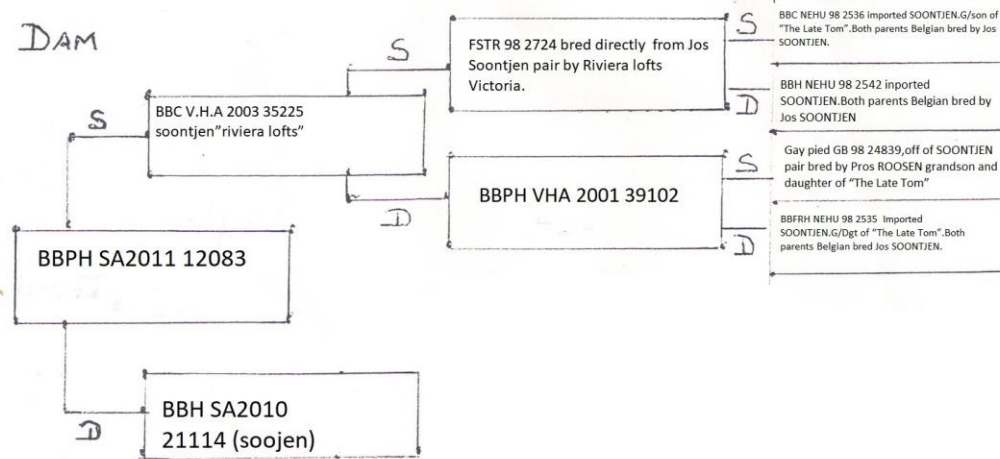


MLYPH SA2016 03242

SIRE



DAM



R. MULLER

Lot 93 MLY SA2017 05600

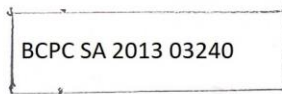
- Sire BCPC SA2013 03240
- Dam MLYPH SA2016 03242(refer to bird 92)
- Have pedigree



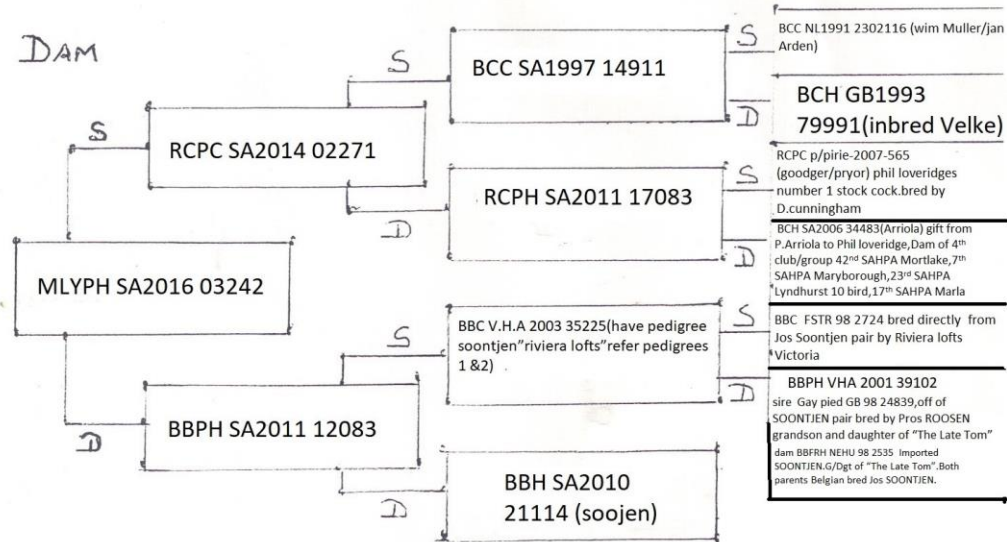


MLY SA2017 05600

SIRE



DAM



R. MULLER

Lot 94 RCP SA2017 05558

- Sire BCPC SA 2013 03240
- Dam MLYPH SA2016 03242(refer to bird 92)
- Have pedigree



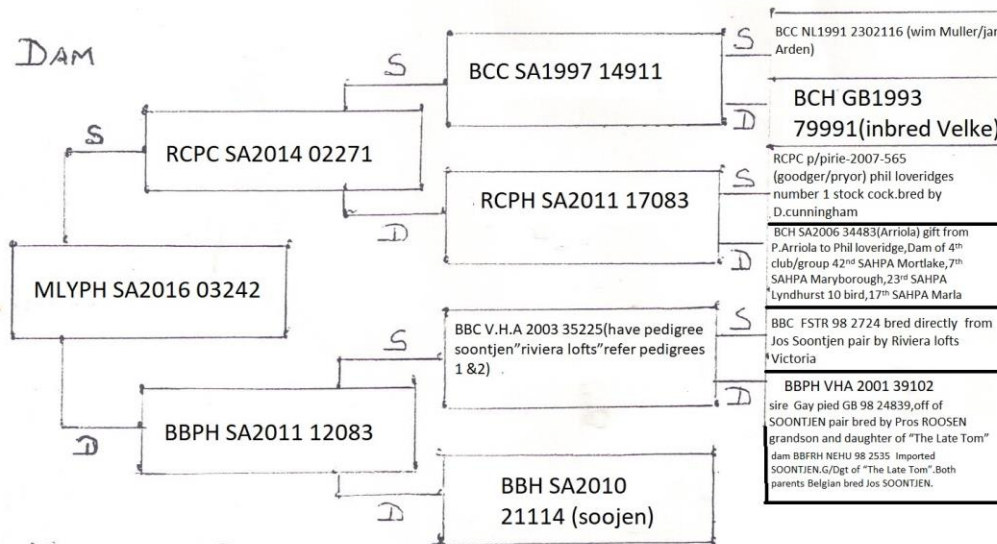


RCP SA2017 05558

SIRE

BCPC SA 2013 03240

DAM



R. MULLER

Lot 95 BCPH SA2012 27081

Have pedigree(Loveridge)



SA-2012-27081 BLUE CHEQUER PIED H

P/PIRIE-2006-706
BLUE BAR PIED COCK
CUNNINGHAM
Refer Cunningham
pedigrees for details

PHS-2004-274

SA-1996-52279

SA-2001-11594

SA-2009-23844
BLUE CHEQUER COCK
CUNNINGHAM
Sire of 1st Club & Group
23rd SAHPA Glendambo
15 Bird Special

PHS-2001-542
Dam of 1st Alice Springs(
Bred for stock)

PHS-1998-2807

PHS-1994-2806

P/PIRIE-2005-327
BLUE CHEQUER HEN
PRYOR/HAMILTON
Refer to Cunningham
pedigree for details[Best I
can breed hen] Dam of
18th SAHPA Colac Open

PHS-2004-299
Bred by Greg Hamilton

SA-2003-33101

SA-1998-05911

SA-1999-16742
Bred by John Pryor.

SA-1987-29291

SA-1987-17155

SA-2009-23850
BLUE CHEQUER HEN
PRYOR/
GOODGER/JANSSEN
4th club 6th group 45th
SAHPA Coober Pedy Dam
of 1st Club & Group 23rd
SAHPA Glendambo 15
Bird Special

SA-1992-16861
BLUE CHEQUER COCK
PRYOR
Bred by J Pryor gifted to
P.Lines Refer Pryor
pedigree for details.Sire of
18th SAHPA Colac
Open,2013.Grand Sire of
3rd SAHPA
Maryborough.GGrand Sire
of 6th SAHPA Marla,2013

SA-1990-50939
Full Brother to-1st LDC
Alice Springs,1st SAHPA
Benalla,3rd SAHPA
Temora,1st SAHPA
Rosedale.Half Brother to

SA-1982-11829

SA-1983-39313

SA-1990-52801
Hampstead Club Bird of
the Year 1992, 2nd Club
Paruna No1,1st Club
Paruna No2 ,5th Club
Boorooban No1, 5th Club

SA-1989-18710

SA-1989-18657

SA-2006-31182
BLUE CHEQUER HEN
GOODGER/JANSSEN
8th club 14th group Marla
2007, Grand Dam of 6th
Marla SAHPA 2013 & 2nd
Maryborough SAHPA 2011

SA-1999-11961
Unraced, Brother to
SA1998 29987 BCH Pied
Hen,Bill Verco's No1
Stock Hen ,Dam of 1st
SAHPA Nyngan (smash)

SA-1995-30932

SA-1995-05202

Lot 96 BCP SA2017 05592

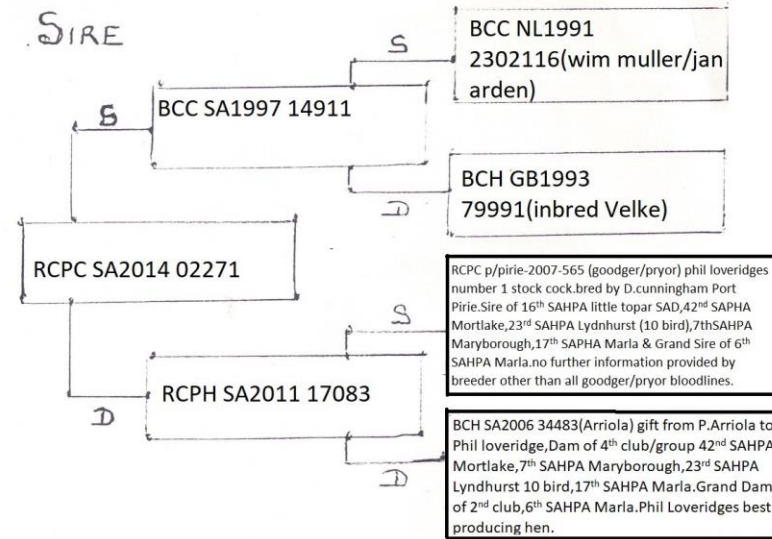
- Sire RCPC SA2014 02271 (refer lot 90)
- Dam BCPH SA2012 27081 (refer Lot 95)
- Have pedigree



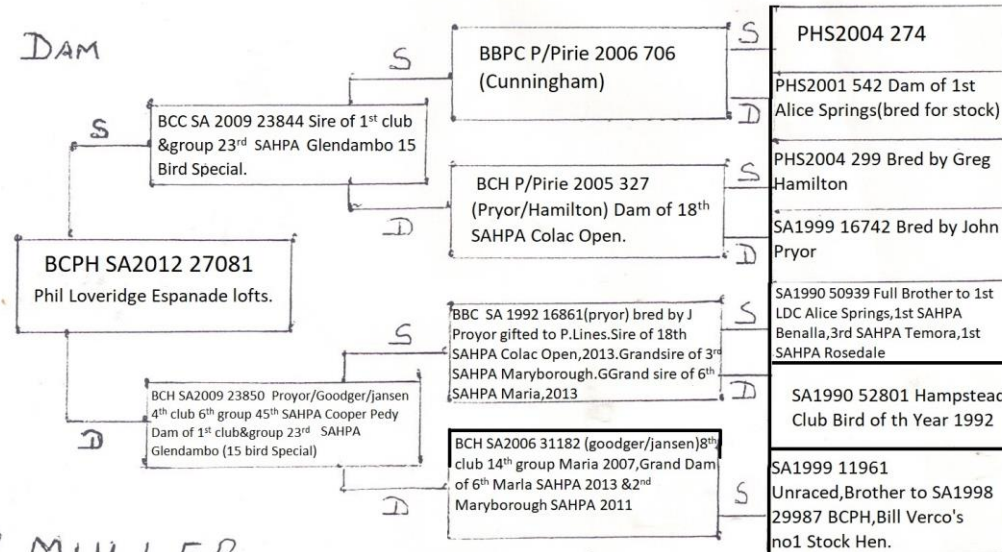


BCP SA2017 05592

SIRE



DAM



R. MULLER

Lot 97 BBH SA2010 06161

- Sire BBC SA 2008 30527
- Grandsire BBC SA2004 39155
Granddame BBH SA2007
04744(van loon) Dam BBH SA2008
18826



Lot 98 BCH SA2015 01091

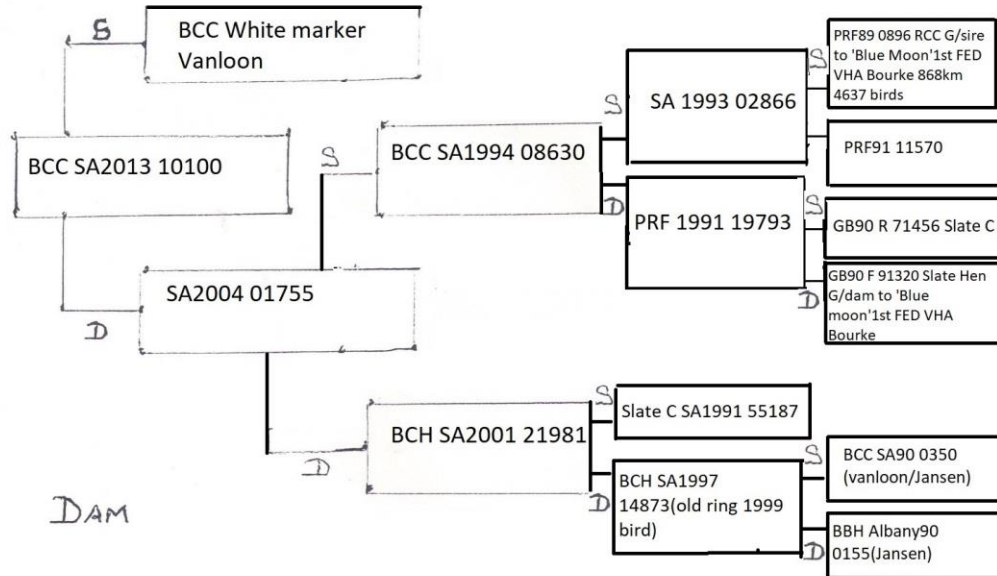
- Sire BCC SA2013 10100(refer lot 62)
- Grandsire BCPC SA 2005 04138
Granddam BBH SA2010
06161(refer lot 97)
Dam BCH SA2013 10038
- Have pedigree



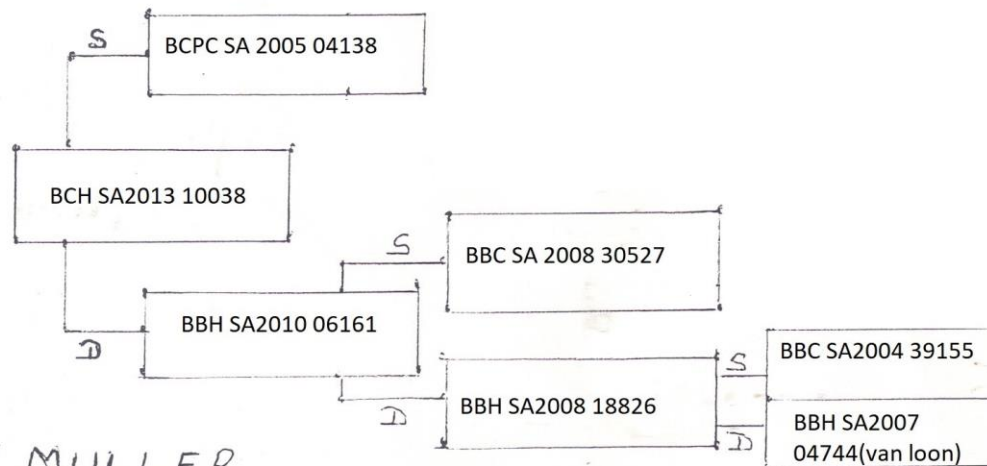


BCH SA2015 01091

SIRE



DAM



R. MULLER

Lot 99 RCC SA2011 17149

- ▶ Have pedigree (loveridge)
goodger/pryor/cunningham



PEDIGREE OF: RED CHEQUER C SA-2011-17149 GOODGER/PRYOR/CUNNINGHAM

BRED BY: Phil Loveridge Esplanade Lofts 79 Esplanade Henley Beach South 5022 South Australia 5022

	<p>SA-2009-23827 BLUE CHEQUER COCK GOODGER/PRYOR</p>	<p>SA-1992-16861 BLUE CHEQUER COCK PRYOR Bred by J Pryor gifted to P.Lines Refer Pryor pedigree for details.Sire of 18th SAHPA Colac Open,2013.Grand Sire of 3rd SAHPA Maryborough.GGrand Sire of 6th SAHPA Marla,2013</p>	<p>SA-1990-50939 Full Brother to-1st LDC Alice Springs,1st SAHPA Benalla,3rd SAHPA</p>
		<p>SA-2006-31182 BLUE CHEQUER HEN GOODGER/JANSSEN 8th club 14th group Marla 2007, Grand Dam of 6th Marla SAHPA 2013 & 2nd Maryborough SAHPA 2011</p>	<p>SA-1990-52801 Hampstead Club Bird of the Year 1992, 2nd Club Paruna No1,1st Club Paruna No2 ,5th</p>
			<p>SA-1999-11961 Unraced, Brother to SA1998 29987 BCH Pied Hen,Bill Verco's No1 Stock Hen ,Dam</p>
			<p>SA-1996-01300 3 times Alice Springs hen Bred by Buxton & Snyders Alan Thedes blood.Refer</p>
	<p>SA-2010-23609 RED CHEQUER HEN ARRIOLA/CUNNINGHAM 3rd Cub& Group 44th SAHPA Edenhope,4th Club& Group 7th SAHPA Maryborough Open (Given to G.Paterrson)</p>	<p>P/PIRIE-2007-565 RED CHEQUER PIED COCK GOODGER/PRYOR My No1 Stock Cock.Bred by D.Cunningham Port Pirie. Sire of 16th SAHPA Little Topar SAD,42nd SAHPA Mortlake,23rd SAHPA Lyndhurst (10 Bird),7thSAHPA Maryborough,17thSAHPA Marla & Grand Sire of 6th SAHPA Marla.No further details provided by</p>	
		<p>SA-2006-34483 BLUE CHEQUER HEN ARRIOLA Gift from P.Arriola, Dam of 4th club/group 42nd SAHPA Mortlake,7th SAHPA Maryborough,23rd SAHPA Lyndhurst 10 Bird,17th SAHPA Marla.Grand Dam of 2nd Club, 6th SAHPA Marla.My best producing Hen</p>	

Lot 100 BCH SA2015 01062 (old ring 2016 bird)

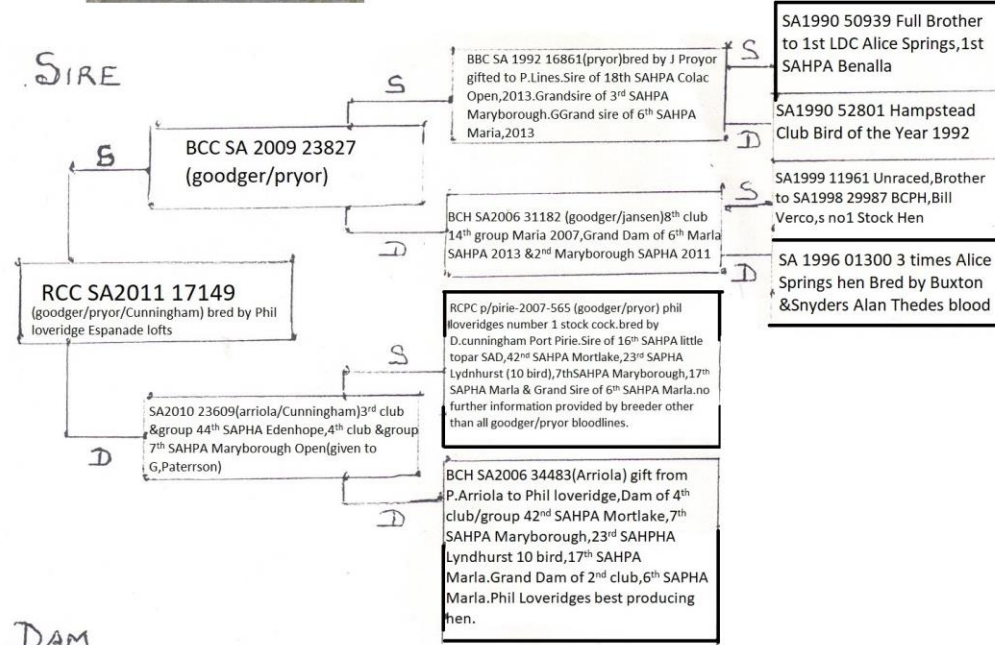
- Sire RCC SA2011 17149 (refer lot 99)
- Dam BBH SA2010 06161 (refer lot 97)
- Have pedigree



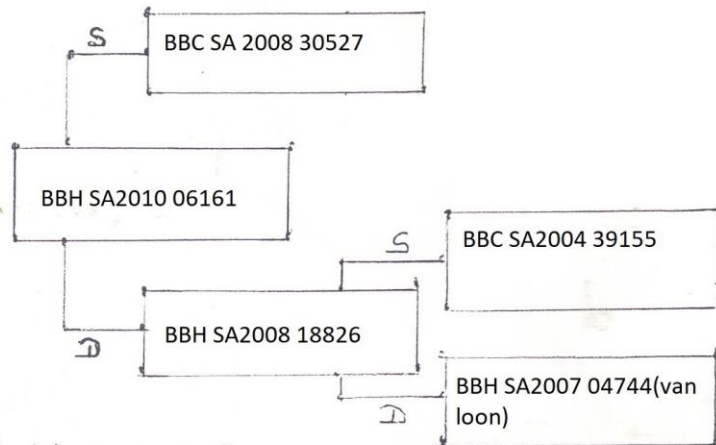


BCH SA2015 01062

SIRE



DAM



R. MULLER

Lot 101 MLYP SA2017 05560

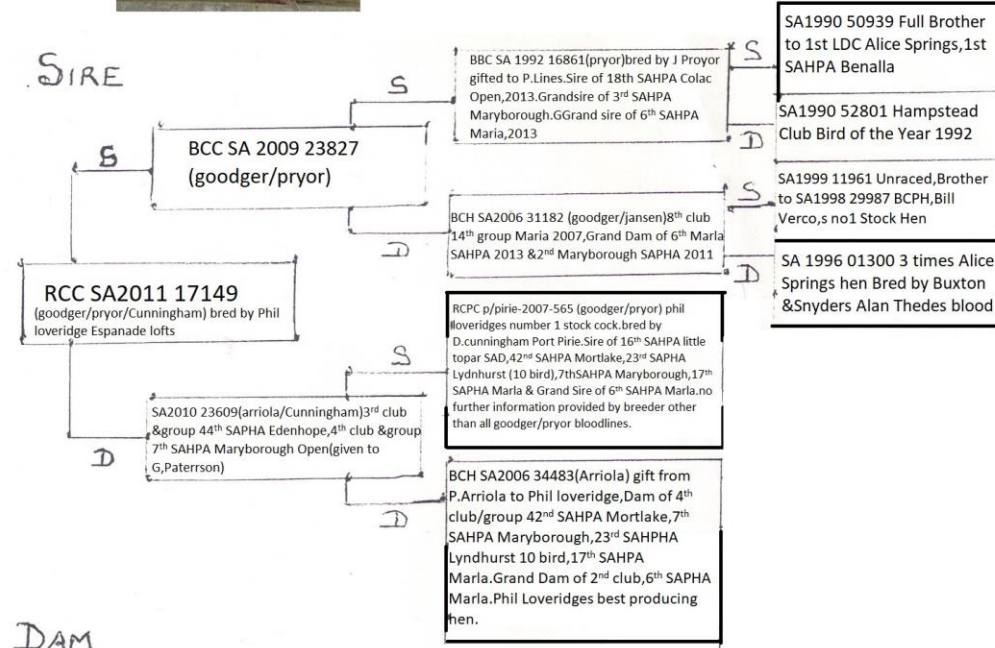
- Sire RCC SA2011 17149 (refer to lot 99)
- Dam BBH SA2010 06161 (refer to lot 97)
- Have pedigree



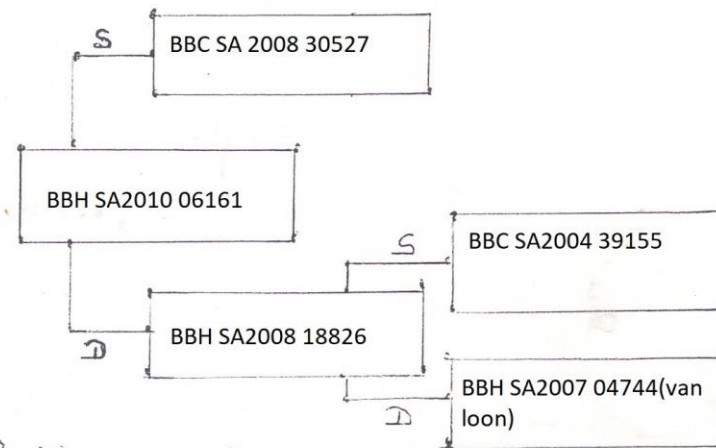


MLYP SA2017 05560

SIRE



DAM



R. MULLER

Lot 102 BBC SA 2010 10512

➤ Vanloon



Lot 103 BCH SA2010 06173

- Gransire BCC NL1991 1559669
(wim muller) grandam BCH
NL1991 1559806(wim muller) Sire
BCC SA1999 45547
- Dam BBH SA2004 01618



Lot 104 BB SA2017 05569

- Sire BCPC SA2010 30503(jan arden)
- Dam BCH SA2010 06173 (refer lot 103)
- Have pedigree



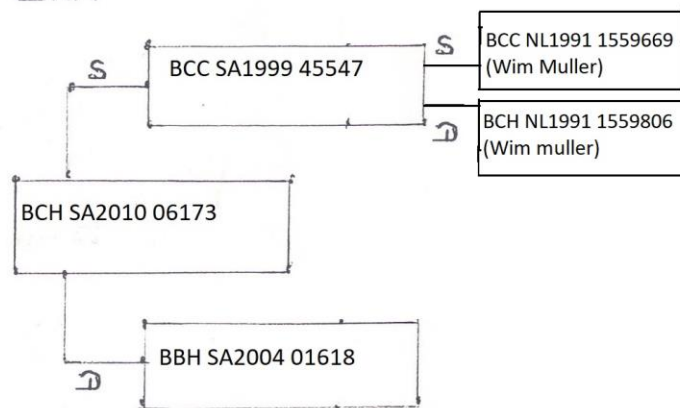


BB SA2017 05569

SIRE

BCPC SA2010 30503(jan arden)

DAM



R. MULLER

Lot 105 BCP SA 2017 05510

- Sire BCPC SA2010 30503(jan arden)
- Dam BCH SA2010 06173(refer lot 103)
- Have pedigree



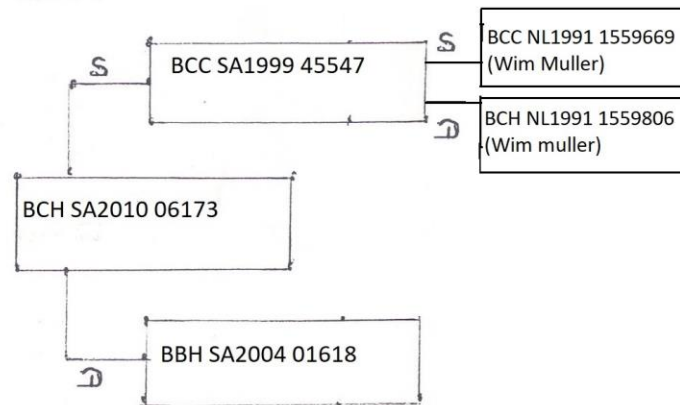


BCP SA 2017 05510

SIRE

BCPC SA2010 30503 (jan arden)

DAM



R. MULLER

Lot 106 BCPC SA2010 06191

- ▶ Grandsire BCC NL 1991 2302116
(wim muller/jan arden)
granddam BCH GB1993
79991 (inbred Velke) Sire BCC
SA1997 14911
- ▶ Dam BBH SA2005 04142(Jan
Arden)



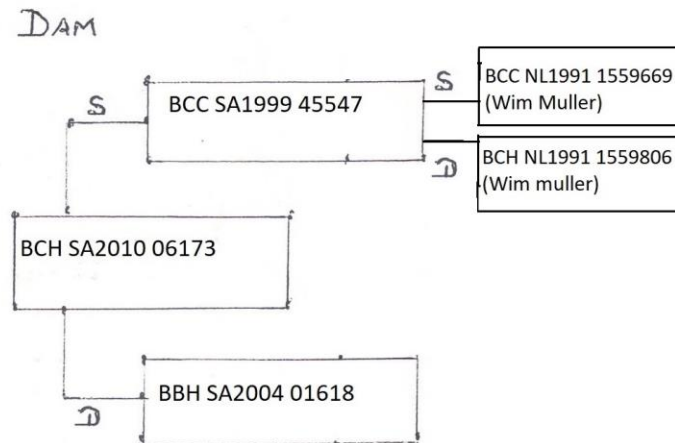
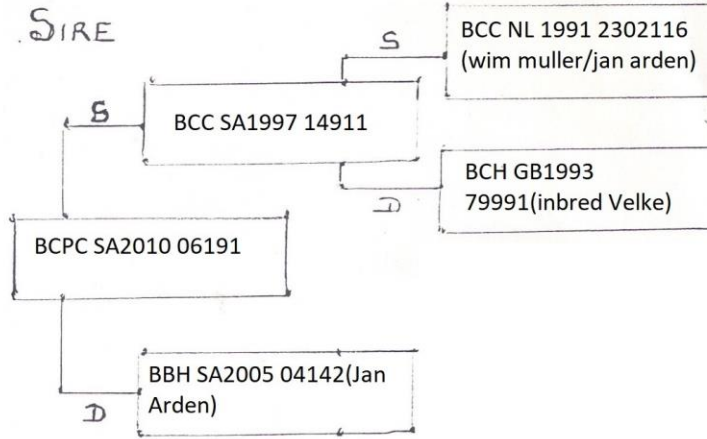
Lot 107 BC SA2016 03259

- Sire BCPC SA2010 06191 (refer lot 106)
- Dam BCH SA2010 06173
- Have pedigree





BC SA2016 03259



R. MULLER

Lot 108 BCPH SA2015 01108

- Sire BCPC SA2010 30503(jan arden)
- GrandSire BCC SA1999 45547(wim muller) Granddam BkPH SA2008 02487 (jan arden)
Dam BCPH SA2013 10048



Lot 109 BCP SA2017 05521

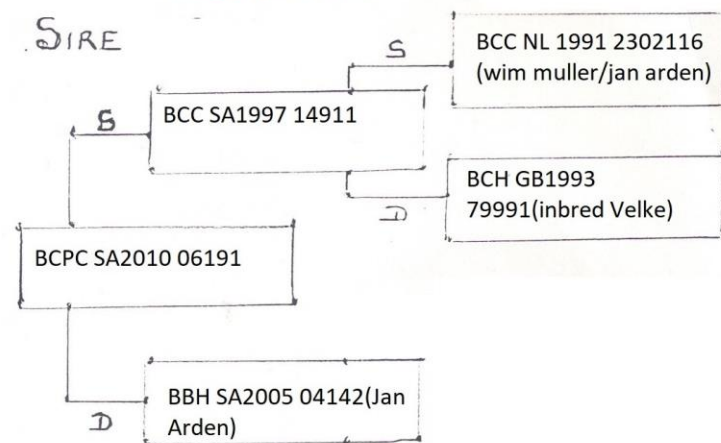
- Sire BCPC SA2010 06191 (refer lot 106)
- Dam BCPH SA 2015 01108 (refer lot 108)
- Have pedigree



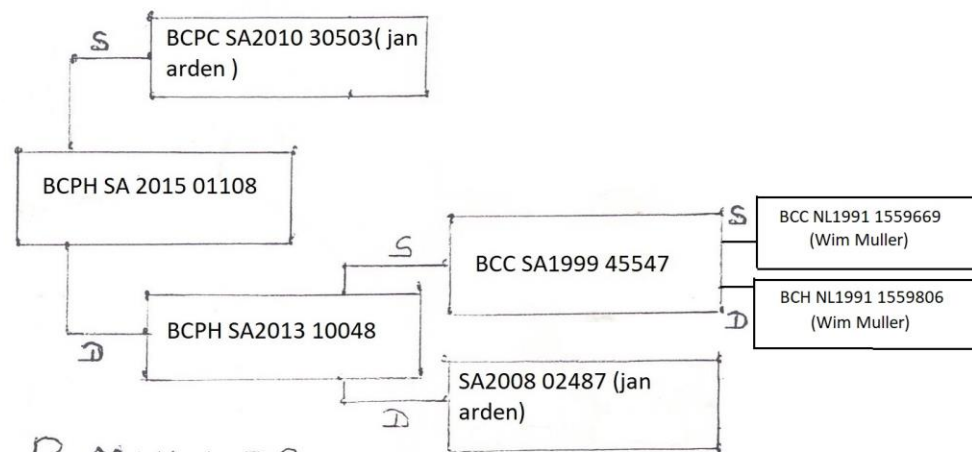


BCP SA2017 05521

SIRE



DAM



R. MULLER

Lot 110 BCP SA 2017 05522

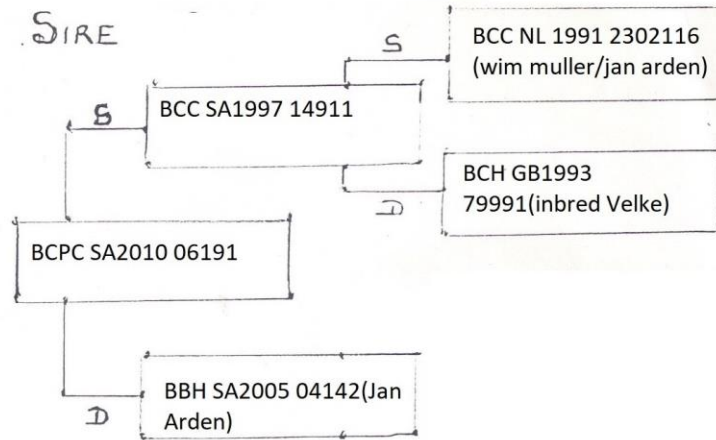
- Sire BCPC SA2010 06191 (refer lot 106)
- Dam BCPH SA 2015 01108 (refer lot 108)
- Have Pedigree



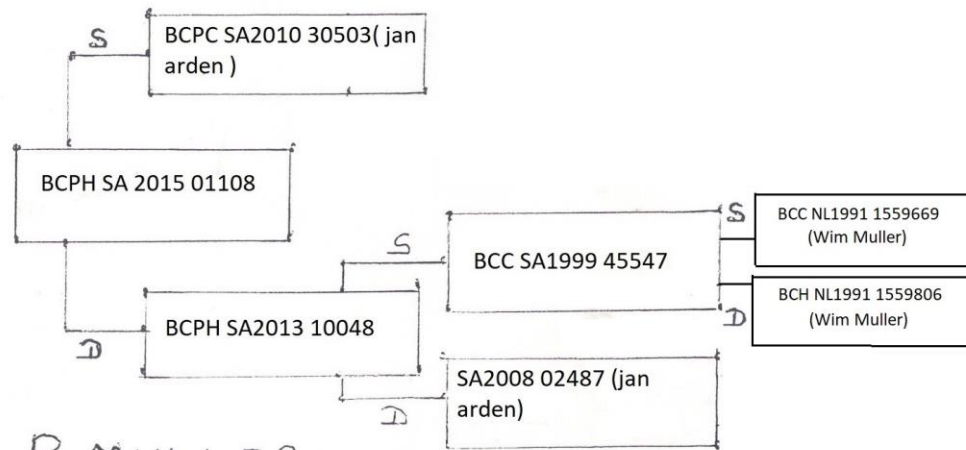


BCP SA 2017 05522

SIRE



DAM



R. MULLER

Lot 111 BCP SA2017 05597

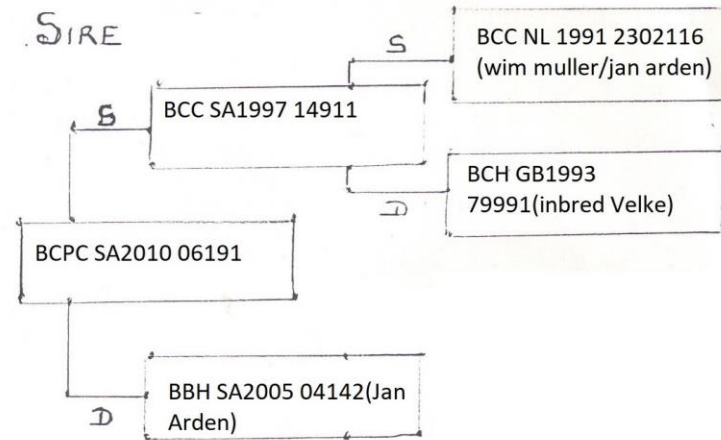
- Sire BCPC SA2010 06191 (refer lot 106)
- Dam BCPH SA2015 01108 (refer lot 108)
- Have pedigree



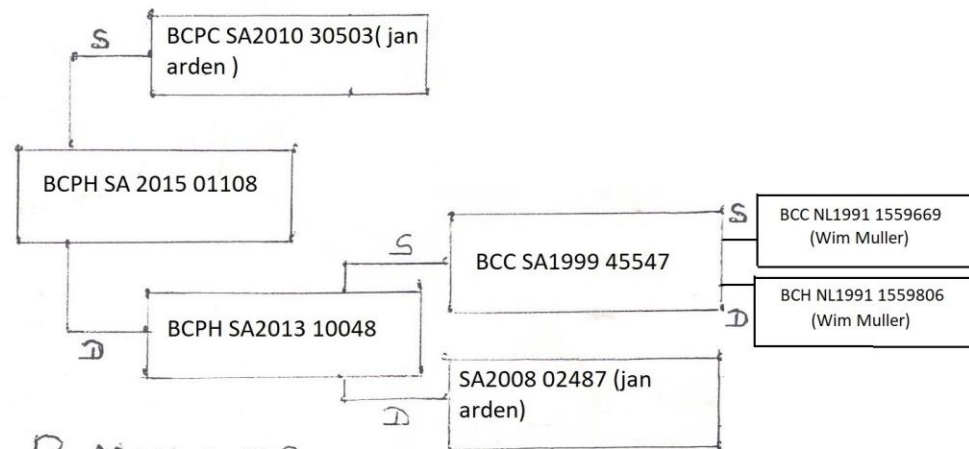


BCP SA2017 05597

SIRE



DAM



R. MULLER

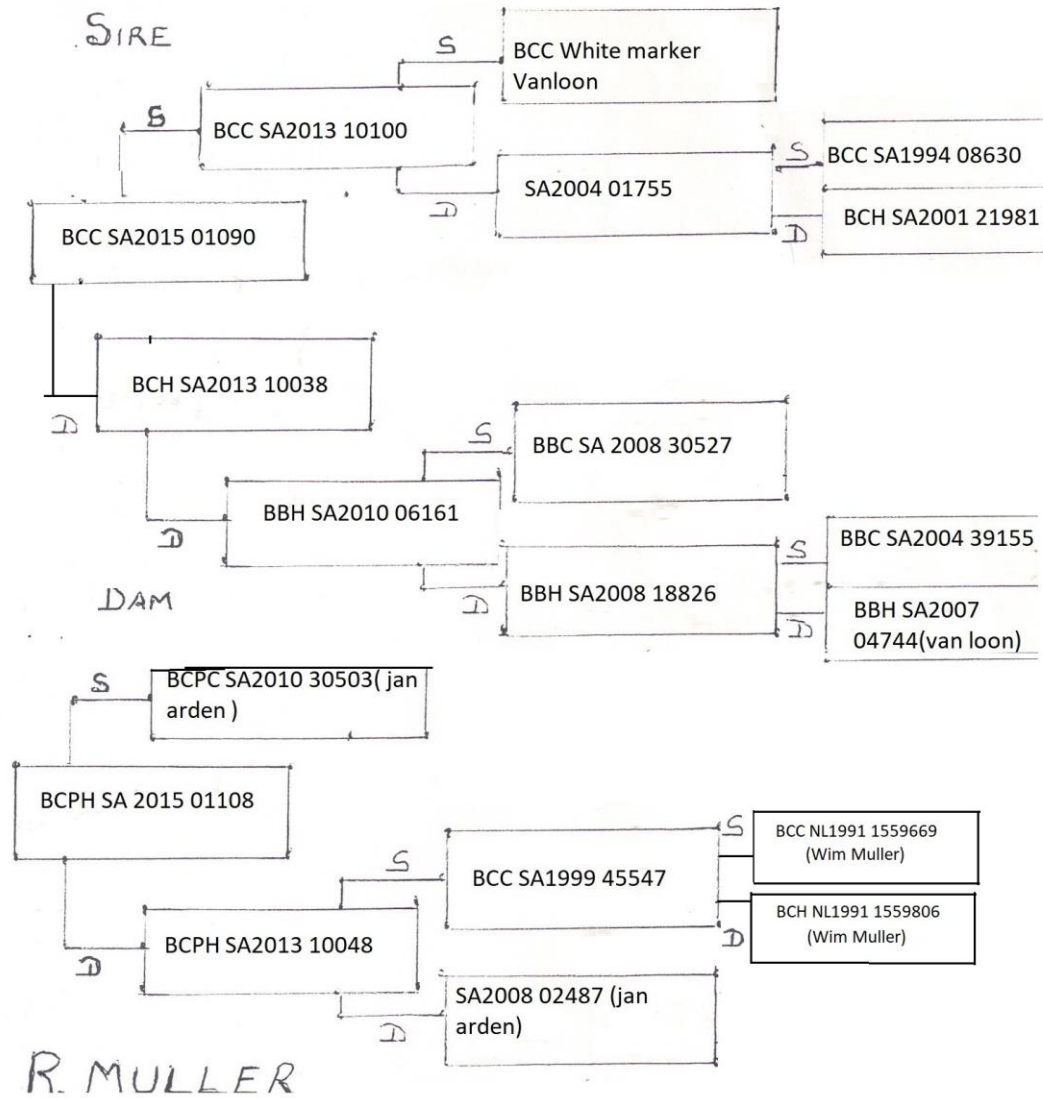
Lot 112 BCP SA2016 03281

- Grandsire BCC SA2013 10100
(refer lot 62) Granddam BCH
SA2013 10038 Sire BCC SA2015
01090
- Dam BCPH SA2015 01108(refer lot
108)
- Have pedigree





BCP SA2016 03281



Lot 113 BCH SA2013 24579

Grandsire BCC NL1991 1559669 (wim
muller) Grandam BCH NL1991 1559806 (wim
muller) Sire BCC SA1999 45547
Dam BkPH SA2008 02487 (jan arden)



Lot 114 BCC SA2016 03258

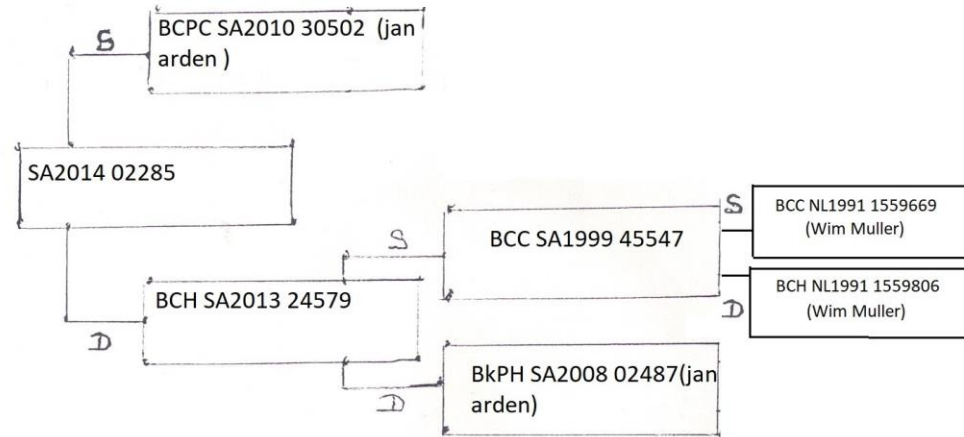
- Grandsire BCPC SA2010 30502
(jan arden)
Granddam BCH SA2013
24579(refer to lot 113)
Sire SA2014 02285
- Dam BBH SA2011 12114
- Have pedigree





BCC SA2016 03258

SIRE



DAM

BBH SA2011 12114
(Mother of SAPHA Winner)

R. MULLER

Lot 115 BCP SA2016 03276

- Sire BCPC SA2010 30503(jan arden)
- GrandSire BCC SA1999 45547(wim muller) Granddam BkPH SA2008 02487 (jan arden) Dam BCPH SA2013 10048



Lot 116 BCH SA2016 03286

- Sire BCC SA2011 12015(refer lot 121) Grandsire BCC SA1999 45547(wim muller) granddam BBH SA2004 01618
- Dam BkPH SA2008 02487(jan arden)



Lot 117 BCC SA2016 03235

- Sire BCC SA2011 12015.(refer lot 121) grandsire SA1999 45547(wim muller) granddam BBH2004 01618
- Dam BkPH SA2008 02487(jan arden)



Lot 118 BCH SA2012 13648

- ▶ Have pedigree (loveridge).



PEDIGREE OF: BLUE CHEQUER H SA-2012-13648

BRED BY: Phil Loveridge Esplanade Lofts 79 Esplanade Henley Beach South 5022 South Australia 5022

	SA-2009-23844 BLUE CHEQUER COCK CUNNINGHAM Sire of 1st Club & Group 23rd SAHPA Glendambo 15 Bird Special	P/PIRIE-2006-706 BLUE BAR PIED COCK CUNNINGHAM Refer Cunningham pedigrees for details	PHS-2004-274
			PHS-2001-542 Dam of 1st Alice Springs(Bred for stock)
		P/PIRIE-2005-327 BLUE CHEQUER HEN PRYOR/HAMILTON Refer to Cunningham pedigree for details[Best I can breed hen] Dam of 18th SAHPA Colac Open	PHS-2004-299 Bred by Greg Hamilton
			SA-1999-16742 Bred by John Pryor.
	SA-2009-23850 BLUE CHEQUER HEN PRYOR/ GOODGER/JANSSEN 4th club 6th group 45th SAHPA Coober Pedy Dam of 1st Club & Group 23rd SAHPA Glendambo 15 Bird Special	SA-1992-16861 BLUE CHEQUER COCK PRYOR Bred by J Pryor gifted to P.Lines Refer Pryor pedigree for details.Sire of 18th SAHPA Colac Open,2013.Grand Sire of 3rd SAHPA Maryborough.GGrand Sire of 6th SAHPA Marla,2013	SA-1990-50939 Full Brother to-1st LDC Alice Springs,1st SAHPA Benalla,3rd SAHPA
			SA-1990-52801 Hampstead Club Bird of the Year 1992, 2nd Club Paruna No1,1st Club Paruna No2 ,5th
	SA-2006-31182 BLUE CHEQUER HEN GOODGER/JANSSEN 8th club 14th group Marla 2007, Grand Dam of 6th Marla SAHPA 2013 & 2nd Maryborough SAHPA 2011	SA-1999-11961 Unraced, Brother to SA1998 29987 BCH Pied Hen,Bill Verco's No1 Stock Hen ,Dam	

Lot 119 BC SA2017 05529

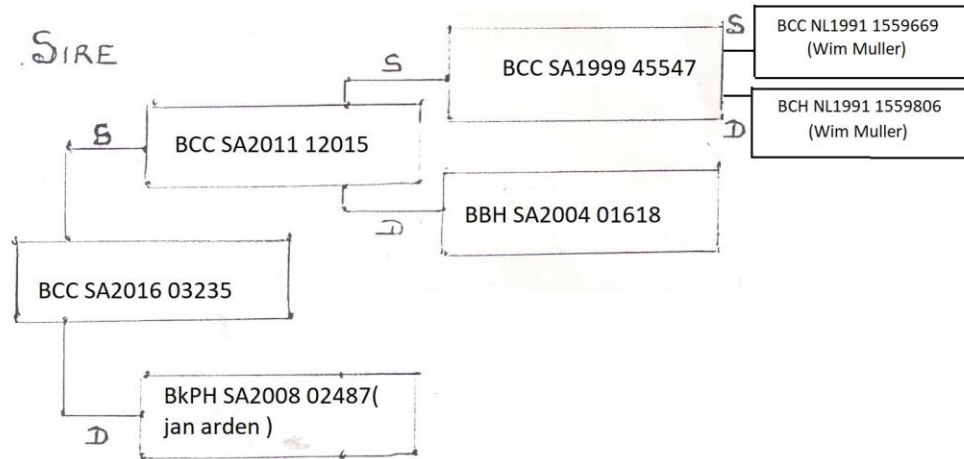
- Sire BCC SA2016 03235(refer lot 117)
- Dam BCH SA2012 13648(refer lot 118)
Have pedigree



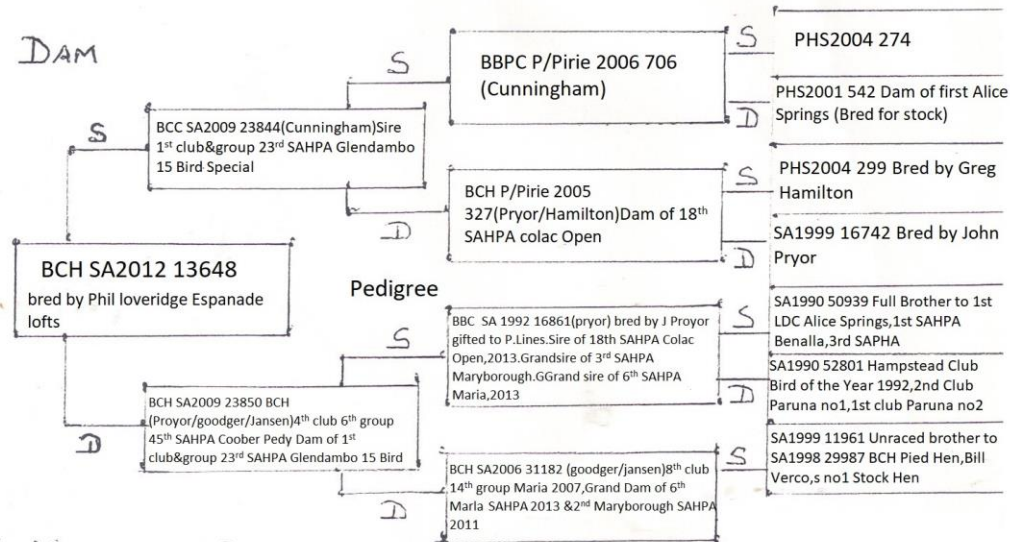


BC SA2017 05529

SIRE



DAM



Pedigree

R. MULLER

Lot 120 BCP SA 2017 05528

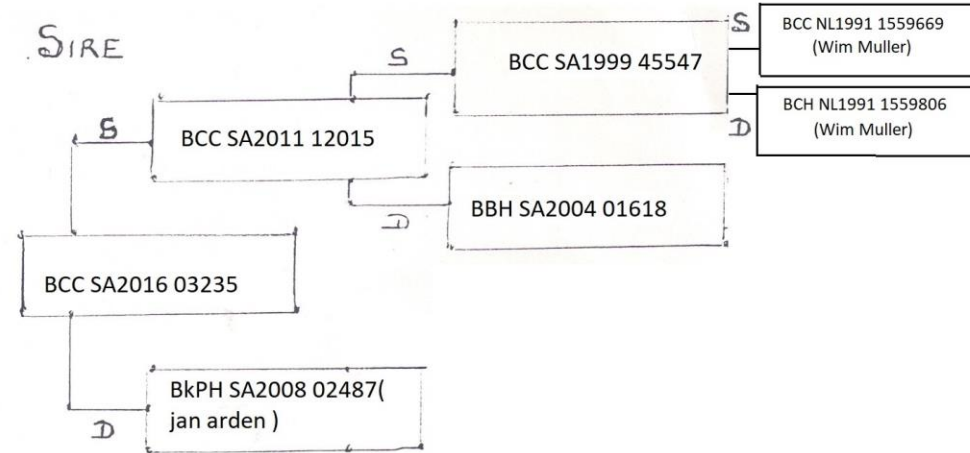
- Sire BCC SA2016 03235(refer lot 117)
- Dam BCH SA2012 13648(refer lot 118)
- Have pedigree



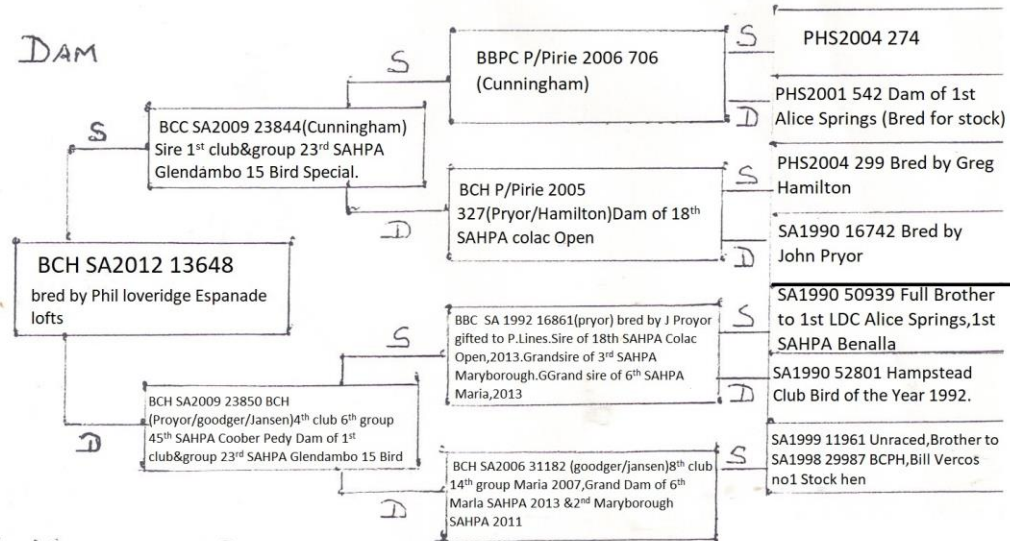


BCP SA 2017 05528

SIRE



DAM



R. MULLER

Lot 121 BCC SA2011 12015

- Grandsire BCC NL1991
1559669 (wim muller) Grandam
BCH NL1991 1559806
(wimmuller) Sire BCC SA1999 45547
- Dam BBH SA2004 01618



Lot 122 BCP SA2017 05579

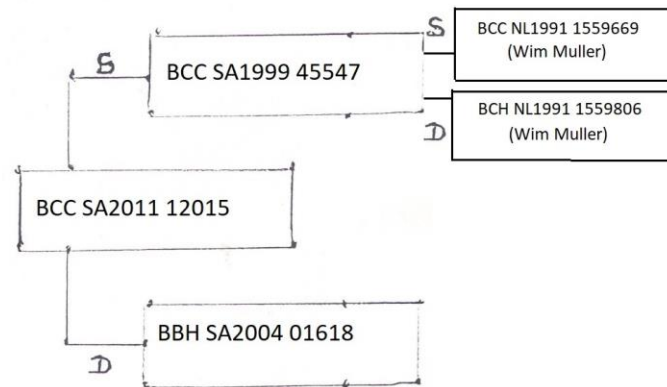
- Sire BCC SA2011 12015(refer lot 121)
- Dam BkPH SA2008 02487(jan arden)
- Have pedigree





BCP SA2017 05579

SIRE



DAM

BkPH SA2008 02487(jan arden)

R. MULLER

Lot 123 BkCP SA2017 05578

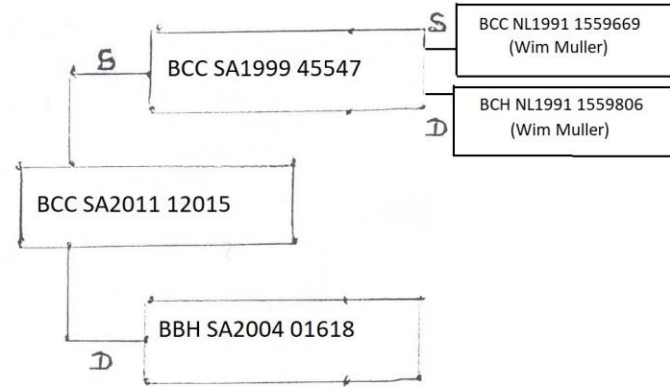
- Sire BCC SA2011 12015(refer to lot 121)
- Dam BkPH SA2008 02487(jan arden)
- Have pedigree





BkCP SA2017 05578

SIRE



DAM

BkPH SA2008 02487(jan arden)

R. MULLER

Lot 124 BCH SA2013 24600

- Grandsire BCC NL1991 1559669 (wim muller) Grandam BCH NL1991 1559806(wim muller) Sire BCC SA1999 45547
- Dam BKPH SA 2008 02487 (Jan arden)



Lot 125 BCP SA2017 05563

- Sire BLKCPC SA2010 30502(jan arden)
- Dam BCH SA2013 24600(refer to lot 124)
- Have pedigree



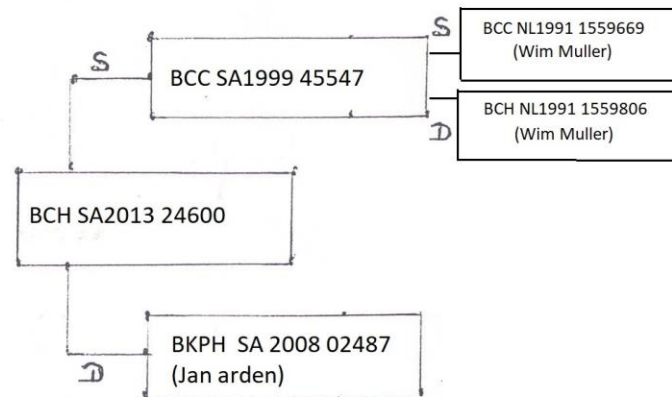


BCP SA2017 05563

SIRE

BLKCPC SA2010
30502(jan arden)

DAM



R. MULLER

Lot 126 BC SA2017 05564

- Sire BLKCPC SA2010 30502(jan arden)
- Dam BCH SA2013 24600(refer to lot 124)
- Have pedigree



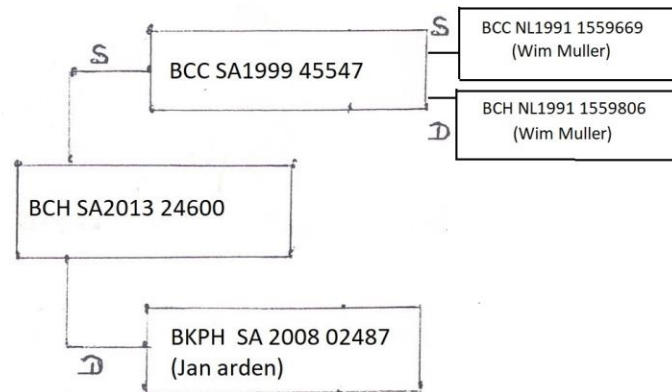


BC SA2017 05564

SIRE

BLKCPC SA2010
30502(jan arden)

DAM



R. MULLER

Lot 127 BCP SA2016 03230

- Sire BCPC SA2010 30503 (jan arden)
- GrandSire BCC SA1999 45547 (wim muller) Granddam BkPH SA2008 02487 (jan arden)
Dam BCPH SA2013 10048



Lot 128 BCH SA2013 10065 (2017 SAHPA WINNER)

- 3rd club ,9th group,63rd in SAHPA Parachilna 2016.
- 1st club,1st group,1st SAHPA Hawker no.2 2017.
- Sire RCC SA2004 34020
- Dam BBH SA2011 12114



Lot 129 RC SA2017 05505

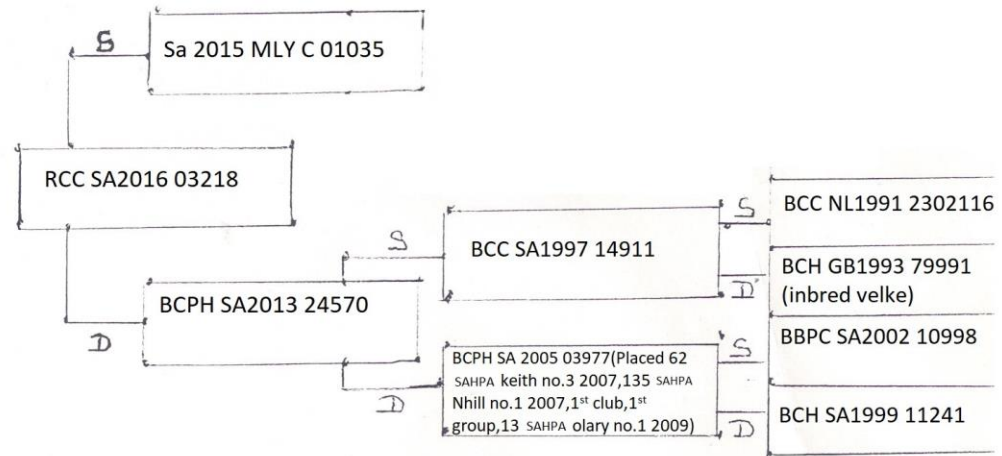
- ▶ Grandsire Sa 2015 MLY C 01035
Granddam BCPH SA2013 24570
Sire RCC SA2016 03218
- ▶ Dam BCH SA2013 10065(refer to lot 128)
- ▶ Have pedigree



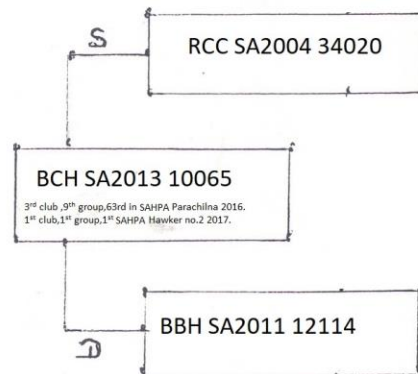


RC SA2017 05505

SIRE



DAM



R. MULLER

Lot 130 RC SA2017 05504

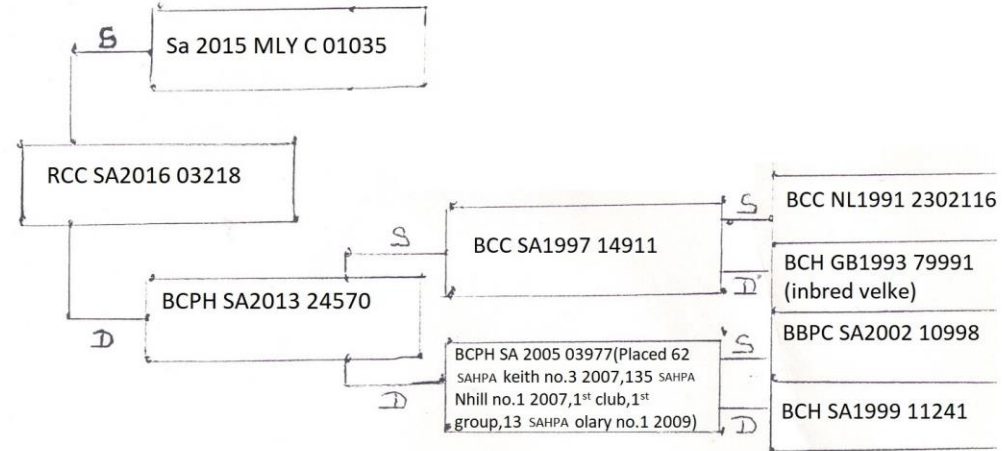
- ▶ Grandsire Sa 2015 MLY C 01035
Granddam BCPH SA2013 24570
Sire RCC SA2016 03218
- ▶ Dam BCH SA2013 10065(refer to lot 128)
- ▶ Have pedigree



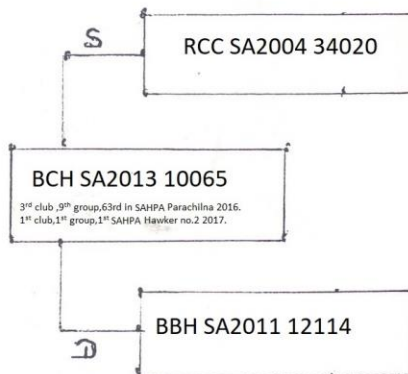


RC SA2017 05504

SIRE



DAM



R. MULLER

Lot 131 RC SA2017 05596

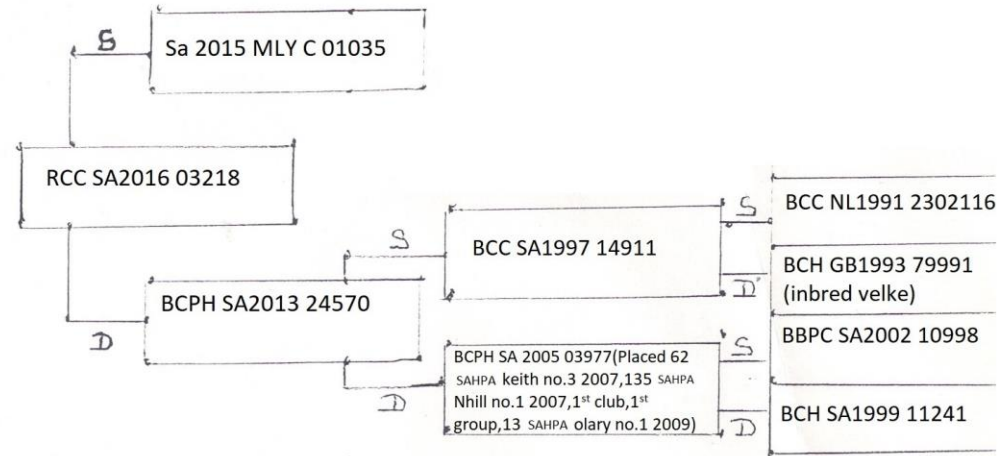
- ▶ Grandsire Sa 2015 MLY C 01035
Granddam BCPH SA2013 24570
Sire SA 2016 03218
- ▶ Dam BCH SA2013 10065(refer to
Lot 128)
- ▶ Have pedigree



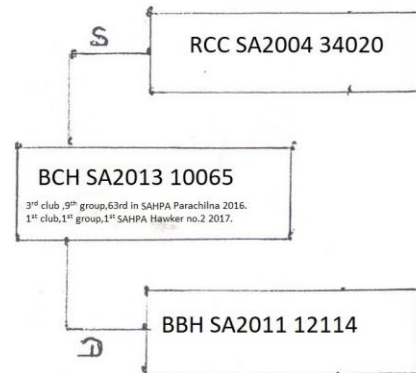


RC SA2017 05596

SIRE



DAM



R. MULLER

Lot 132 BCP SA2016 03244

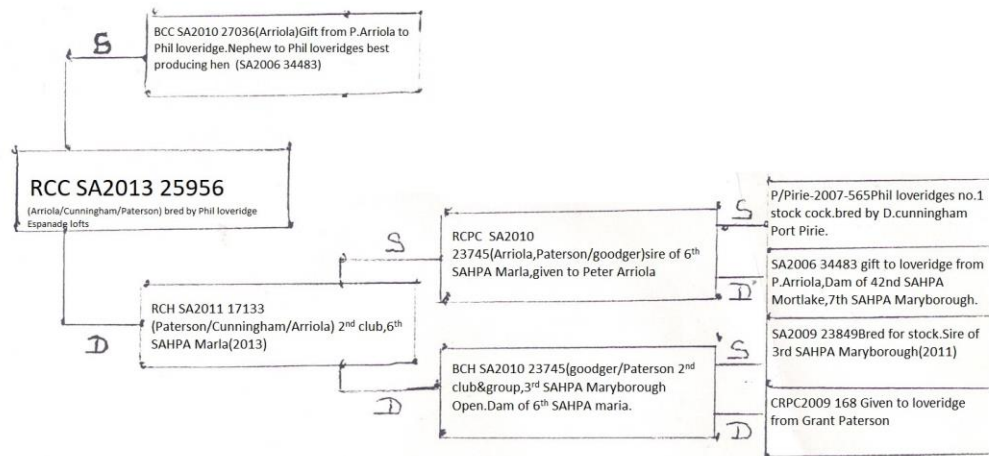
- Sire RCC SA2013 25956(refer lot 134)
- Dam BCH SA2013 10065(refer lot 128)
- Have pedigree



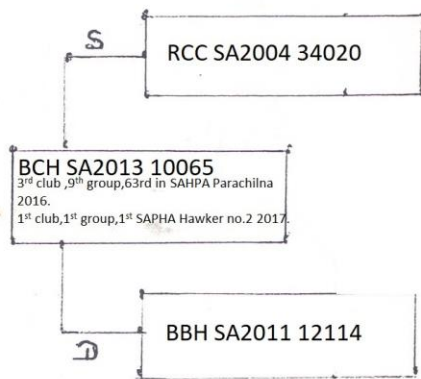


BCP SA2016 03244

SIRE



DAM



R. MULLER

Lot 133 BCC SA2016 03296

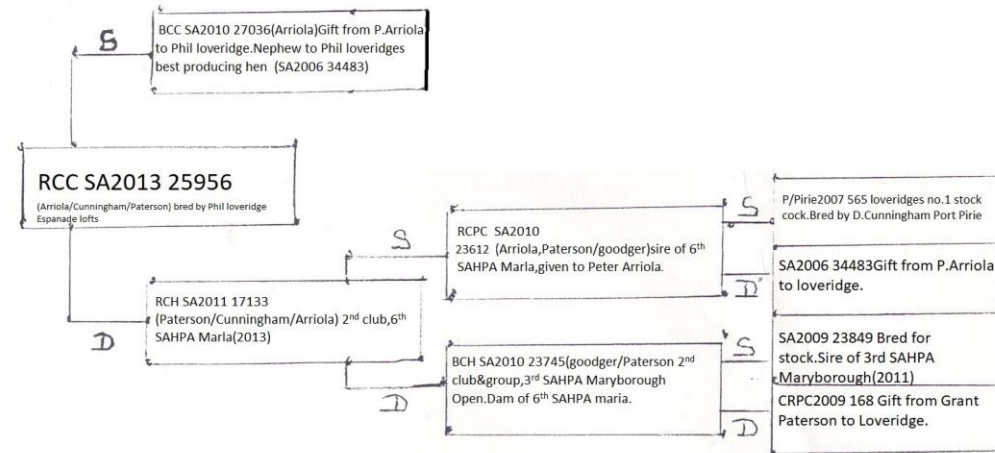
- Sire RCC SA2013 25956(refer to lot 134)
- Dam BCH SA2013 10065(refer to lot 128)
- Have pedigree



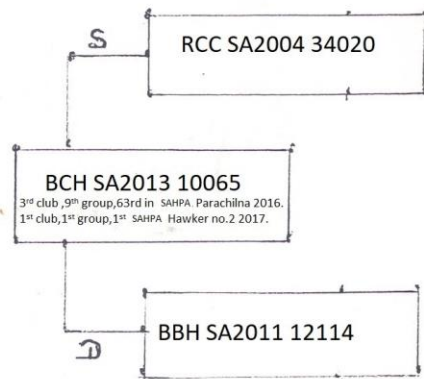


BCC SA2016 03296

SIRE



DAM



R. MULLER

Lot 134 RCC SA2013 25956

- ▶ Have pedigree.(Loveridge) arriola/Cunningham/paterson



Lot 135 BCPH SA2016 03292

- Sire BlkC SA2012 14395
- Dam RCPH SA2011 17083
- Have pedigree



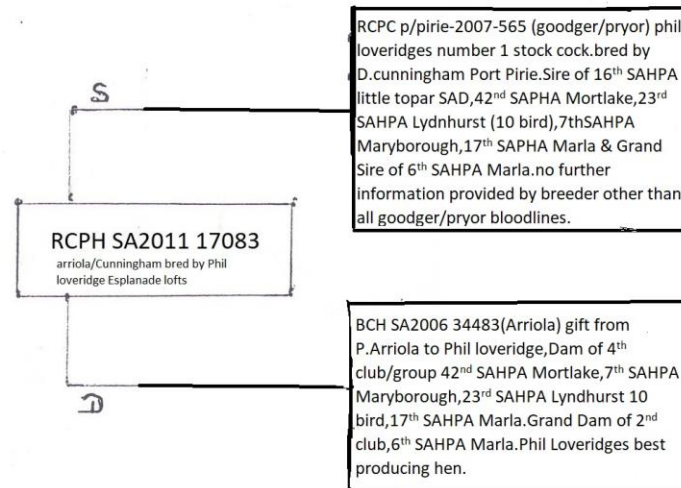


BCPH SA2016 03292

SIRE

BLKC SA2012 14395

DAM



R. MULLER

Lot 136 RCP SA2016 03255(old ring 2017bird)

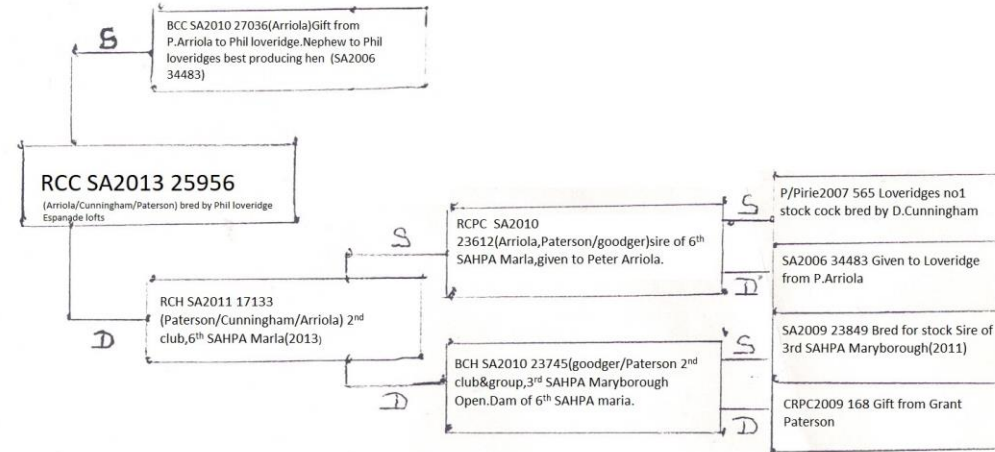
- Sire RCC SA2013 25956(refer to lot 134)
- Dam BCPH SA2016 03292(refer to lot 135)
- Have pedigree



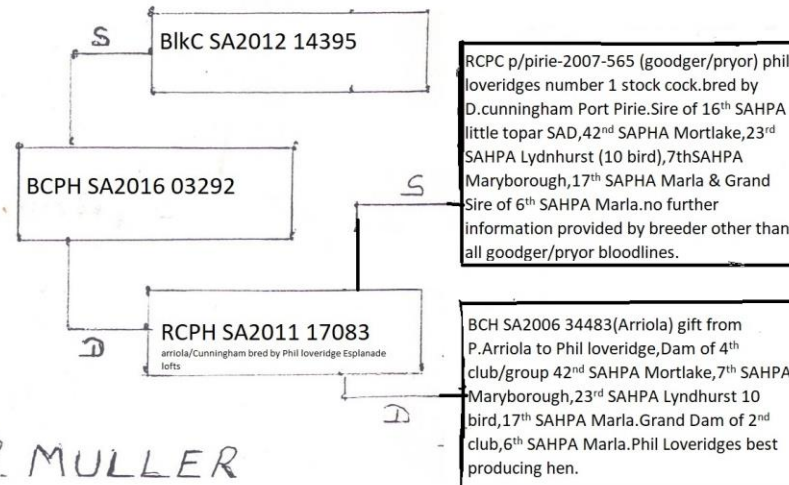


RCP SA2016 03255(old ring 2017bird)

SIRE



DAM



R. MULLER

Lot 137 RC SA 2017 05540 MY PET

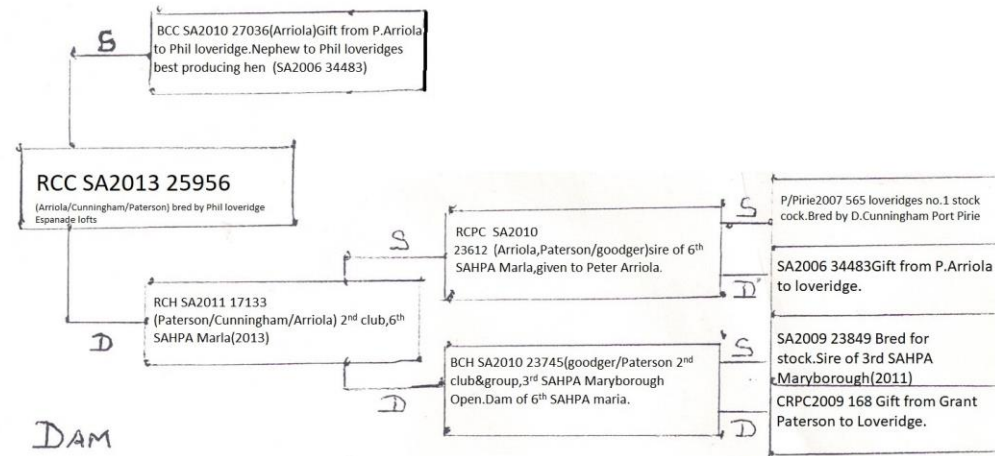
- Sire RCC SA2013 25956(refer to lot 134)
- Dam BCPH SA2016 03292(refer to lot 135)
- Have pedigree



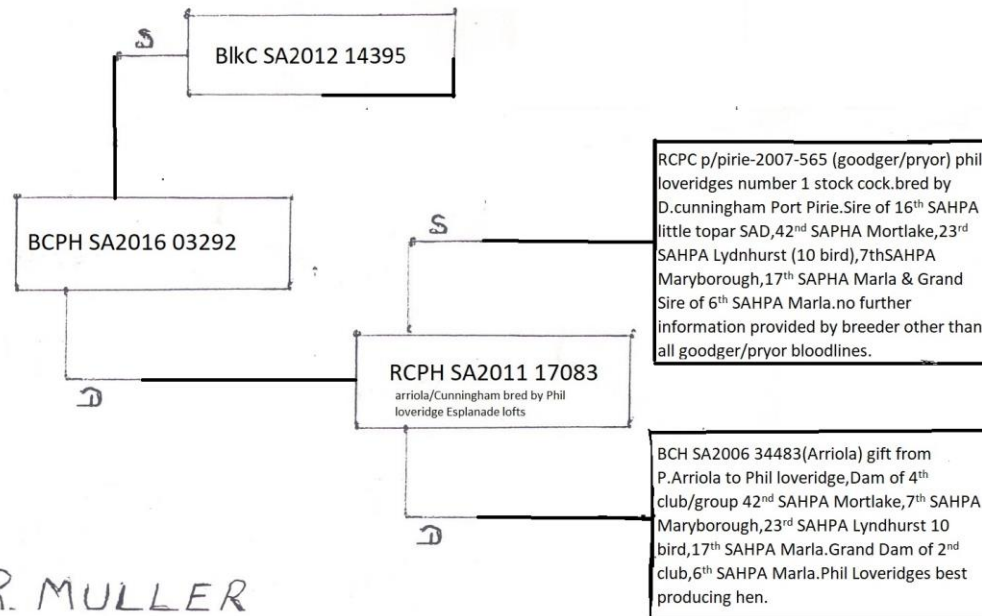


RC SA 2017 05540

SIRE



DAM



R. MULLER

Lot 138 RCP SA2017 05541

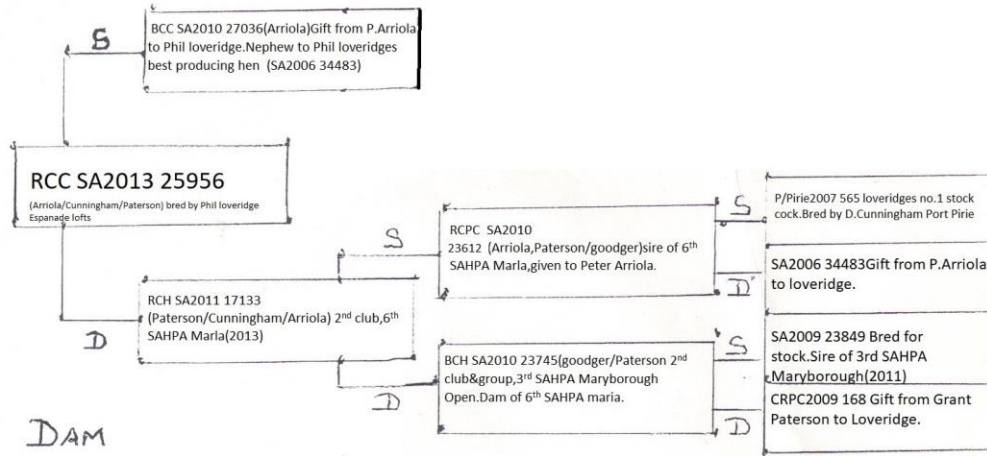
- Sire RCC SA2013 25956 (refer to lot 134)
- Dam BCPH SA2016 03292 (refer to lot 135)
- Have pedigree



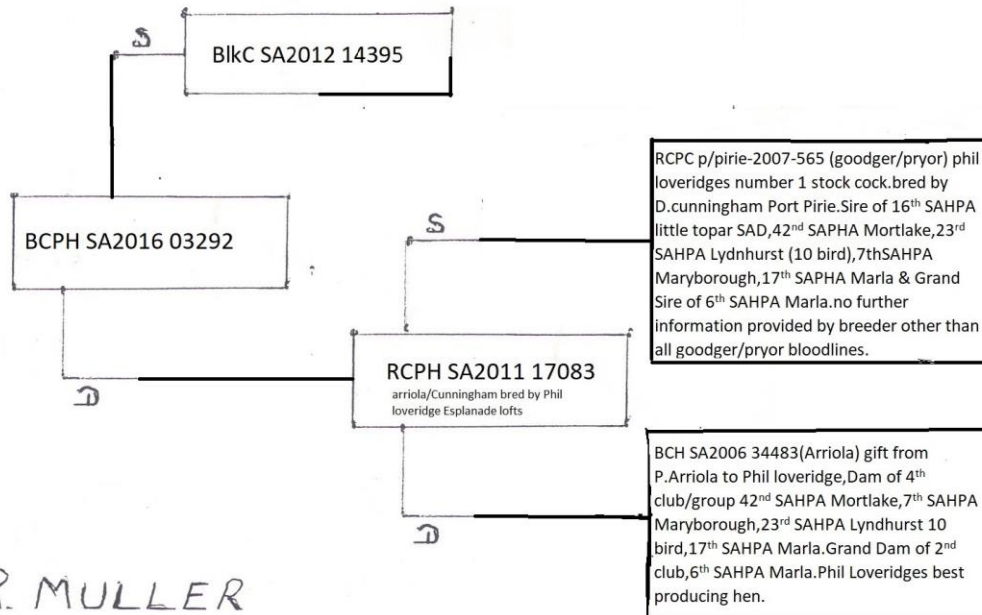


RCP SA2017 05541

SIRE



DAM



R. MULLER

Lot 139 BBPH SA2011 12028(van loon)

- 4th club,6th group,45 SAHPA hawker no.1 2012.
- 7th,club,10th group,54 SAHPA Parachilna 2012
- Sire BBC SA2009 22603(1st club,1stgroup,2nd SAHPA lydnhurst YBC 2009)
- Dam BBH SA2007 04744(van loon)



Lot 140 MLY SA2017 05575

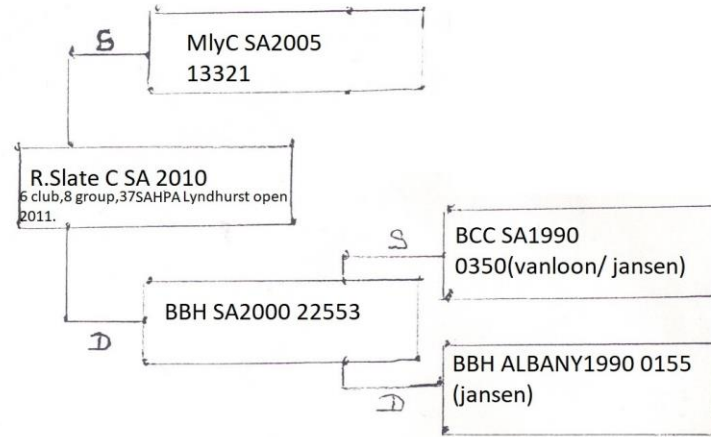
- Sire R.Slate C SA2010
- Dam BBPH SA 2011 12028 (refer to lot 139)
- Have pedigree



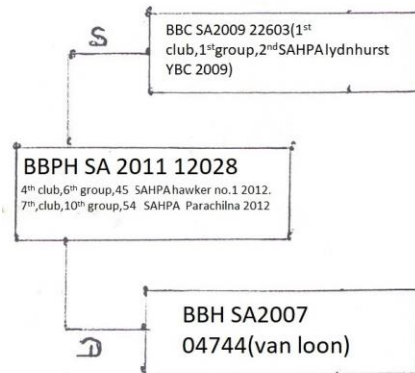


MLY SA2017 05575

SIRE



DAM



R. MULLER

Lot 141 MLY SA2015 03271 (2017 bird old ring)

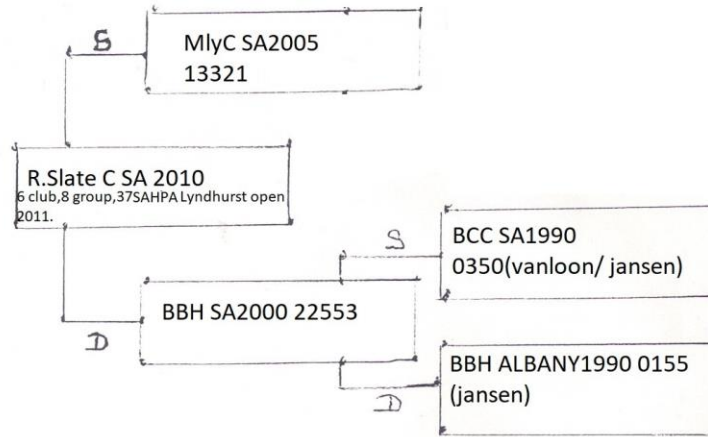
- Sire R.Slate C SA 2010
- Dam BBPH SA 2011 12028(refer to Lot 139)
- Have pedigree



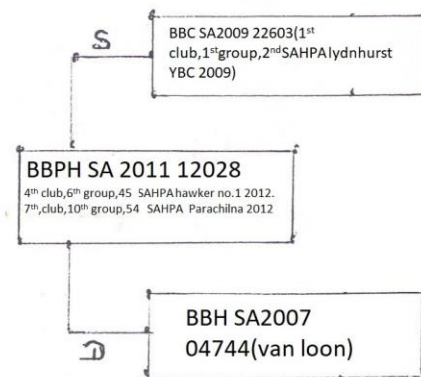


MLY SA2015 03271(2017 bird old ring)

SIRE



DAM



R. MULLER

Lot 142 BBH SA2011 12033

- ▶ Sire BBC SA2009 22603(1st club, 1st group, 2nd SAHPA lydnhurst YBC 2009)
- ▶ Dam BBH SA2007 04744(van loon)



Lot 143 Slate C SA2007 04758

.Bred for stock Jansen.



Lot 144 BB SA2017 05538

- Sire Slate C SA2007 04758(refer to Lot 143)
- Dam BBH SA2011 12033(refer to Lot 142)
- Have pedigree



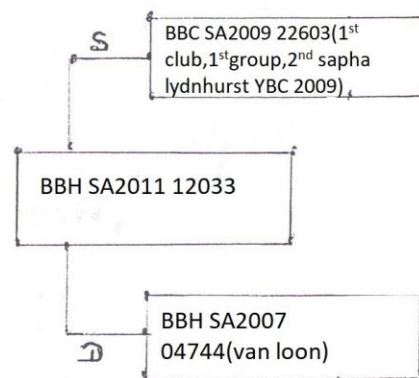


BB SA2017 05538

SIRE

Slate C SA2007 04758
Jansen

DAM



R. MULLER

Lot 145 RC SA2015 01040

- Couldn't find any information on this bird.



Lot 146 RCC SA2011 03087

➤ Goodger



Lot 147 BB SA2016 03272(old ring 2017 bird)

- Sire RCC SA2011 03087(refer to lot 146)
- Dam BBH SA2012 13605
- Have pedigree



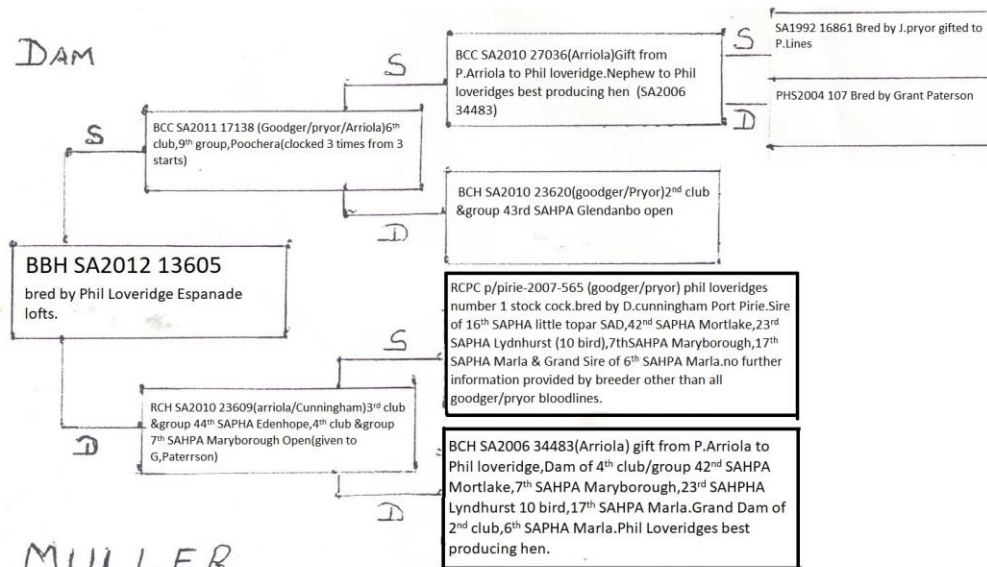


BB SA2016 03272(old ring 2017 bird)

SIRE

RCC SA2011
03087 Goodger

DAM



R. MULLER

Lot 148 BCP SA2016 03231

- Sire RCC SA2011 03087(refer to lot 146)
- Dam BBH SA2012 13605
- Have pedigree



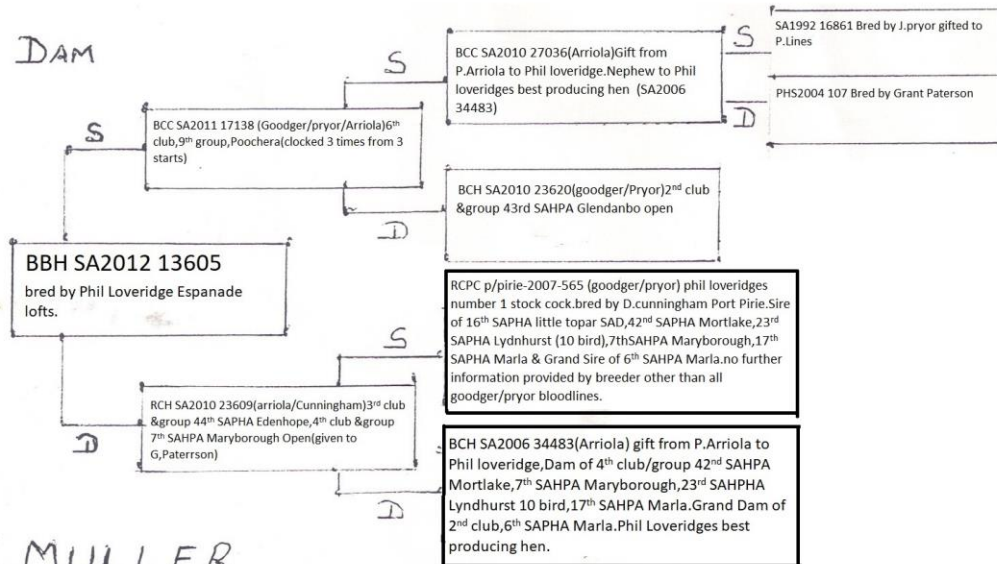


BCP SA2016 03231

SIRE

RCC SA2011
03087 Goodger

DAM



R. MULLER

Lot 149 SHORTY

